



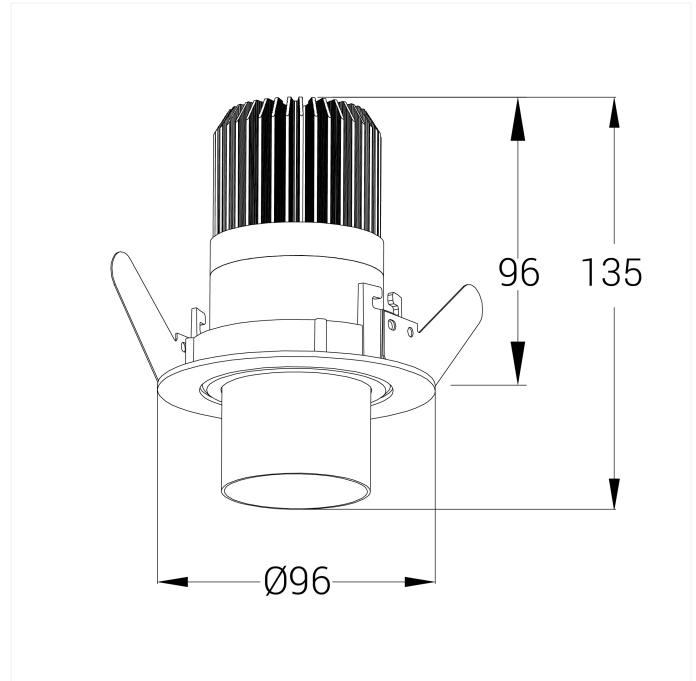
FDV SPEC SHEET

Zoom Recessed COB

Art. no: 1014-560-3



Lighting Solutions



Zoom Recessed COB



Art. no: 1014-560-3

LIGHT TECHNICAL

| | |
|--------------------------|----------------|
| Lightsource Type: | LED (built in) |
| Lumen LED (tc=25): | 1300 |
| Beam Angle: | 5-60° |
| CCT (Color Temperature): | 3000 |
| CRI / Ra: | 90 |
| Color Code: | 930 |
| MacAdam (SDCM): | 3 |
| Lens (Diffuser): | Clear |

MOUNTING / CONNECTION

| | |
|---------------|----------------------------|
| Connection: | 18i3 Quick connection |
| Cut-out [mm]: | 81 |
| Mounting: | Partial-recessed, Recessed |

ELECTRICAL DATA

| | |
|----------------------------|-----------|
| Dimming: | Phase-Cut |
| System Power [W]: | 15 |
| System Voltage [V]: | 230V 50Hz |
| Protection Class: | 2 |
| Max load pr circuit - B10: | 50 |
| Max load pr circuit - B16: | 80 |
| Max load pr circuit - C10: | 50 |
| Max load pr circuit - C16: | 80 |
| Inrush current time [µs]: | 40 |
| Voltage Forward Min [V]: | 34,2 |
| Voltage Forward Max [V]: | 37,7 |



FDV SPEC SHEET

Zoom Recessed COB

Art. no: 1014-560-3



Lighting Solutions

PRODUCT

| | |
|-------------------------------|-------|
| To be recessed in insulation: | No |
| Ingress Protection: | IP20 |
| Operating Temperature [°C]: | - |
| Color: | White |
| Height [mm]: | 96 |
| Width [mm]: | 60 |