

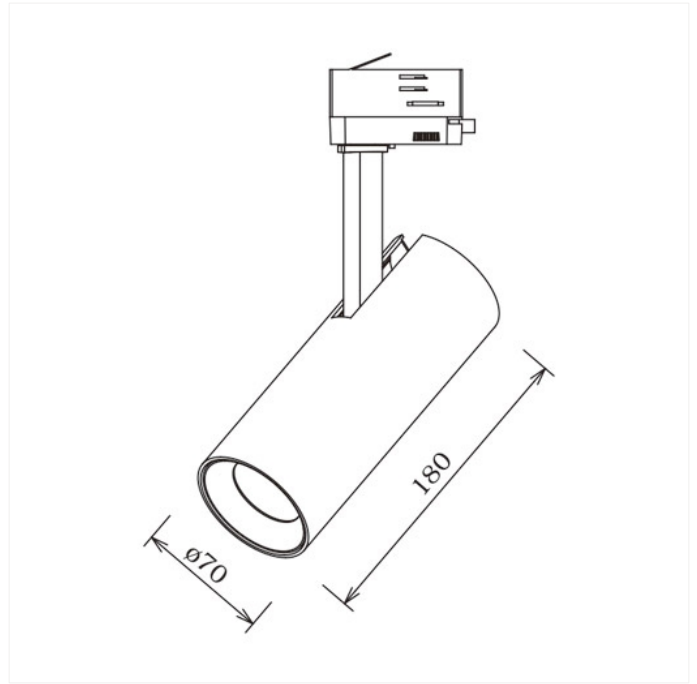


## FDV SPEC SHEET

Cylinder 70  
Art. no: 17055-36-3



Lighting Solutions



# Cylinder 70



Art. no: 17055-36-3

### LIGHT TECHNICAL

Lightsource Type:	LED (built in)
Lumen Output:	1676
Lumen LED (tc=25):	2350
Beam Angle:	36°
CCT (Color Temperature):	3000
CRI / Ra:	90
Color Code:	930
MacAdam (SDCM):	3
Lens (Diffuser):	Clear
UGR (<=):	21

### MOUNTING / CONNECTION

Connection:	Track 3-Circuit
Mounting:	Ceiling, Track

### ELECTRICAL DATA

Dimming:	None
System Power [W]:	20
System Voltage [V]:	230V 50Hz
Protection Class:	1
Max load pr circuit - B10:	72
Max load pr circuit - B16:	115
Max load pr circuit - C10:	90
Max load pr circuit - C16:	144
Inrush current I <sub>max</sub> [A]:	5
Inrush current time [μs]:	100
Current Output [mA]:	500
Voltage Forward Min [V]:	29,9
Voltage Forward Max [V]:	40,9



## FDV SPEC SHEET

Cylinder 70

Art. no: 17055-36-3



*Lighting Solutions*

### PRODUCT

Ingress Protection:	IP20
Operating Temperature [°C]:	-
Color:	White
Length [mm]:	180
Height [mm]:	225
Width [mm]:	70
Weight [kg]:	0,85