

**Driver LCA 38W 350–1050mA DT8 SR PRE**

Tunable White

**Product description**

- \_ Independent dimmable constant current 2-channel LED Driver with DALI DT8
- \_ Dimming range 1 to 100 %
- \_ Suitable for luminaires of protection class I and protection class II (see data sheet chapter 3.4 for details)
- \_ Output current adjustable between 350 – 1,050 mA via I-SELECT 2 plugs or DALI
- \_ Max. output power 38 W
- \_ Up to 87 % efficiency
- \_ Power input on stand-by < 0.25 W
- \_ Nominal life-time up to 100,000 h
- \_ 5-year guarantee

**Housing properties**

- \_ Casing: polycarbonate, black
- \_ Type of protection IP20
- \_ Strain relief with loop through function

**Interfaces**

- \_ one4all (DALI DT8, DSI, switchDIM, corridorFUNCTION V2)
- \_ colourSWITCH
- \_ Terminal blocks: 45° / 0° push terminals

**Functions**

- \_ Adjustable output current in 1-mA-steps (DALI, I-SELECT 2)
- \_ Constant light output function (CLO)
- \_ colourSWITCH with predefined colours
- \_ switchDIM and colourSWITCH with memory function
- \_ Power-up fading and fade2zero
- \_ Configurable via DALI
- \_ Protective features (overtemperature, short-circuit, overload, no-load, reduced surge amplification)
- \_ Suitable for emergency escape lighting systems acc. to EN 50172

**Benefits**

- \_ Application-oriented operating window for maximum compatibility
- \_ Best energy savings due to low stand-by losses

**Typical applications**

- \_ For spot light and downlight in retail and hospitality applications
- \_ Tunable white application

**Website**

<http://www.tridonic.com/28002202>



Spotlights



Downlights



Linear



Area



Floor | Wall



Free-standing



Street



Decorative

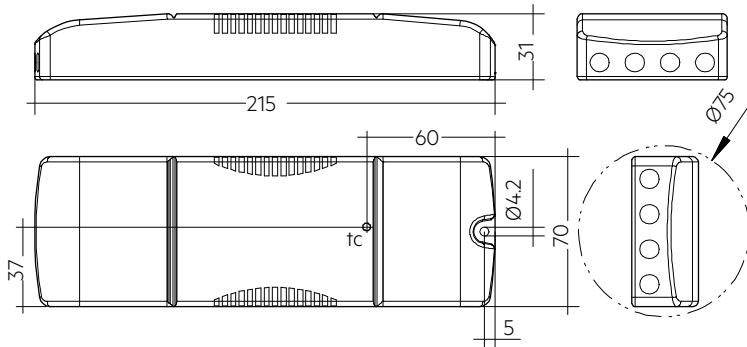


High bay

**Driver LCA 38W 350–1050mA DT8 SR PRE**

Tunable White

The complete data sheet for this product is available in the Downloads section.

**Ordering data**

Type	Article number	Packaging, carton	Packaging, pallet	Weight per pc.
LCA 38W 350-1050mA DT8 SR PRE	28002202	10 pc(s).	400 pc(s).	0.238 kg

**Technical data**

Rated supply voltage	220 – 240 V
AC voltage range	198 – 264 V
DC voltage range	176 – 280 V
Mains frequency	0 / 50 / 60 Hz
Overvoltage protection	320 V AC, 48 h
Typ. current (at 230 V, 50 Hz, full load) <sup>①②</sup>	96 – 192 mA
Typ. current (220 V, 0 Hz, full load, 15 % dimming level) <sup>②</sup>	35 mA
Leakage current (at 230 V, 50 Hz, full load) <sup>①②</sup>	< 500 µA
Typ. efficiency (at 230 V, 50 Hz, full load) <sup>②</sup>	87 %
λ (at 230 V, 50 Hz, full load) <sup>①</sup>	> 0.96
Typ. power input on stand-by <sup>③</sup>	< 0.25 W
Typ. input current in no-load operation	22 mA
Typ. input power in no-load operation	< 0.5 W
In-rush current (peak / duration)	26.4 A / 224 µs
THD (at 230 V, 50 Hz, full load) <sup>①</sup>	< 10 %
Starting time (at 230 V, 50 Hz, full load) <sup>①</sup>	< 0.6 s
Starting time (DC mode)	< 0.4 s
Switchover time (AC/DC) <sup>④</sup>	< 0.2 s
Turn off time (at 230 V, 50 Hz, full load)	< 20 ms
Output current tolerance <sup>①③</sup>	± 3 %
Max. output current peak (non-repetitive)	≤ output current + 20 %
Output LF current ripple (< 120 Hz)	± 2 %
Max. output voltage (U-OUT)	60 V
Dimming range	1 – 100 %
Colour tuning range	2,700 – 6,500 K
Mains surge capability (between L - N)	1 kV
Mains surge capability (between L/N - PE)	2 kV
Surge voltage at output side (against PE)	< 500 V
Type of protection	IP20
Life-time	up to 100,000 h
Dimensions L x W x H	215 x 70 x 31 mm

**Approval marks**

## Standards

EN 55015, EN 61000-3-2, EN 61000-3-3, EN 61347-1, EN 61347-2-13, EN 62384, EN 61547, EN 62386-101 (DALI-2), EN 62386-102 (DALI-2), EN 62386-207 (DALI-2), Acc. to EN 50172, Acc. to EN 60598-2-22

## Specific technical data

Type	Output current <sup>①</sup>	Min. forward voltage	Max. forward voltage	Max. output power	Typ. power consumption (at 230 V, 50 Hz, full load)	Typ. current consumption (at 230 V, 50 Hz, full load)	t <sub>c</sub> point max.	Ambient temperature t <sub>a</sub>	I-SELECT 2 resistor value <sup>⑦</sup>
LCA 38W 350-1050mA DT8 SR PRE	350 mA	20 V	50.0 V	17.5 W	21.1 W	96 mA	75 °C	-25 ... +60 °C	-
LCA 38W 350-1050mA DT8 SR PRE	400 mA	20 V	50.0 V	20.0 W	23.7 W	107 mA	75 °C	-25 ... +55 °C	12.50 kΩ
LCA 38W 350-1050mA DT8 SR PRE	450 mA	20 V	50.0 V	22.5 W	26.4 W	119 mA	75 °C	-25 ... +55 °C	11.11 kΩ
LCA 38W 350-1050mA DT8 SR PRE	500 mA	20 V	50.0 V	25.0 W	29.1 W	130 mA	75 °C	-25 ... +55 °C	10.00 kΩ
LCA 38W 350-1050mA DT8 SR PRE	550 mA	20 V	50.0 V	27.5 W	31.7 W	141 mA	75 °C	-25 ... +55 °C	9.09 kΩ
LCA 38W 350-1050mA DT8 SR PRE	600 mA	20 V	50.0 V	30.0 W	34.4 W	152 mA	75 °C	-25 ... +55 °C	8.33 kΩ
LCA 38W 350-1050mA DT8 SR PRE	650 mA	20 V	50.0 V	32.5 W	37.0 W	164 mA	75 °C	-25 ... +55 °C	7.69 kΩ
LCA 38W 350-1050mA DT8 SR PRE	700 mA	20 V	50.0 V	35.0 W	39.9 W	176 mA	75 °C	-25 ... +55 °C	7.14 kΩ
LCA 38W 350-1050mA DT8 SR PRE	750 mA	20 V	50.0 V	37.5 W	42.5 W	187 mA	75 °C	-25 ... +50 °C	6.67 kΩ
LCA 38W 350-1050mA DT8 SR PRE	800 mA	20 V	47.5 V	38.0 W	42.9 W	189 mA	75 °C	-25 ... +50 °C	6.25 kΩ
LCA 38W 350-1050mA DT8 SR PRE	850 mA	20 V	44.7 V	38.0 W	43.1 W	190 mA	75 °C	-25 ... +50 °C	5.88 kΩ
LCA 38W 350-1050mA DT8 SR PRE	900 mA	20 V	42.2 V	38.0 W	43.3 W	191 mA	75 °C	-25 ... +50 °C	5.56 kΩ
LCA 38W 350-1050mA DT8 SR PRE	950 mA	20 V	40.0 V	38.0 W	43.4 W	191 mA	75 °C	-25 ... +50 °C	5.26 kΩ
LCA 38W 350-1050mA DT8 SR PRE	1,000 mA	20 V	38.0 V	38.0 W	43.4 W	191 mA	75 °C	-25 ... +50 °C	5.00 kΩ
LCA 38W 350-1050mA DT8 SR PRE	1,050 mA	20 V	36.2 V	38.0 W	43.6 W	192 mA	75 °C	-25 ... +50 °C	0.00 kΩ

① Valid at 100 % dimming level.

② Depending on the selected output current.

③ Depending on the DALI traffic at the interface.

④ Valid for immediate change of power supply type otherwise the starting time is valid.

⑤ Output current is mean value.

⑥ The table only lists a number of possible operating points but does not cover each single point. The output current can be set within the total value range in 1-mA-steps.

⑦ Not compatible with I-SELECT (generation 1). Calculated resistor value.