



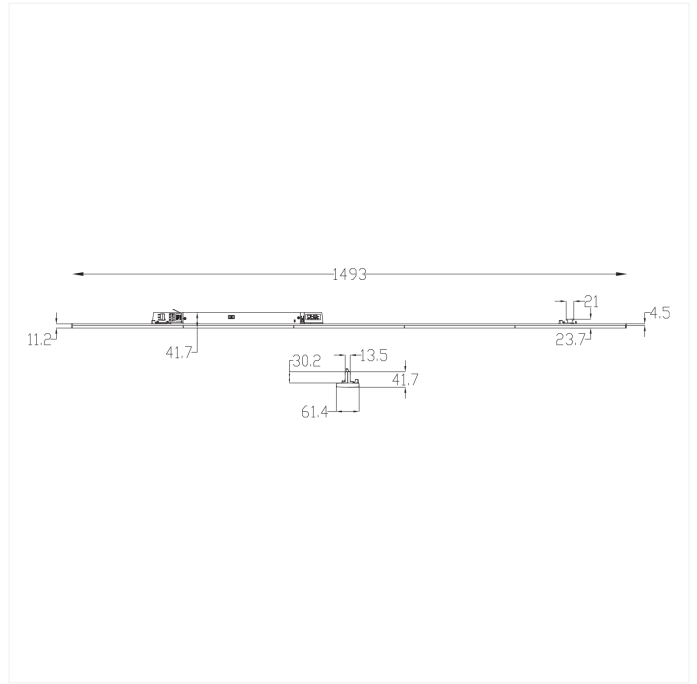
FDV SPEC SHEET

T-Line

Art. no: 5040-DS-3



Lighting Solutions



T-Line



Art. no: 5040-DS-3

LIGHT TECHNICAL

Lightsource Type:	LED (built in)
Lumen Output:	8150
Lumen LED (tc=25):	8200
Beam Angle:	Double Asymmetric
CCT (Color Temperature):	4000
CRI / Ra:	80
Color Code:	840
MacAdam (SDCM):	3
Lens (Diffuser):	Lens

MOUNTING / CONNECTION

Connection:	Track 3-Circuit
Mounting:	Track

ELECTRICAL DATA

Dimming:	None
System Power [W]:	35-50
System Voltage [V]:	230V 50Hz
Protection Class:	1
Max load pr circuit - B10:	24
Max load pr circuit - B16:	30
Max load pr circuit - C10:	24
Max load pr circuit - C16:	38
Leakage current [mA]:	0,95
Inrush current I _{max} [A]:	20
Inrush current time [µs]:	136



FDV SPEC SHEET

T-Line

Art. no: 5040-DS-3



Lighting Solutions

PRODUCT

Ingress Protection:	IP20
Operating Temperature [°C]:	-25 - 60
Color:	White
RAL:	RAL9016
Length [mm]:	1493
Height [mm]:	11
Width [mm]:	60