



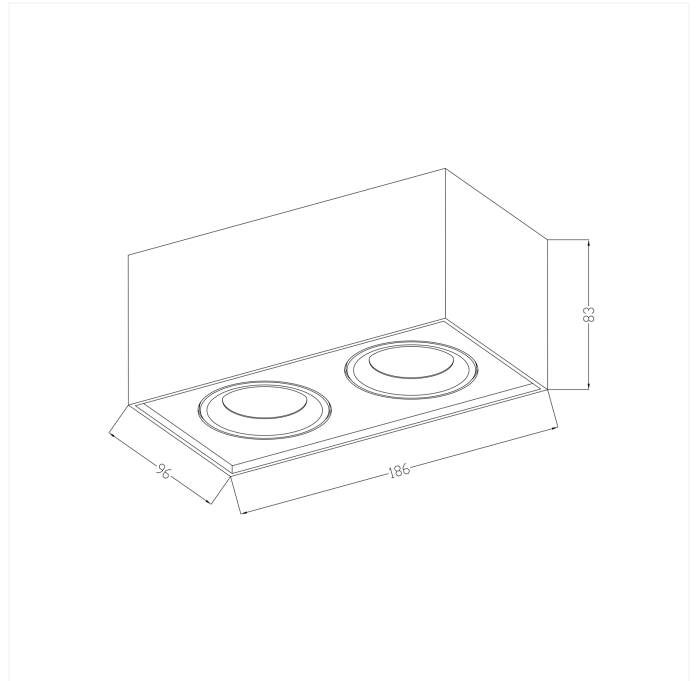
FDV SPEC SHEET

Cobra 360° Rotatable Surface Double

Art. no: 6927-D2W-38-2



Lighting Solutions



Cobra 360° Rotatable Surface Double



Art. no: 6927-D2W-38-2

LIGHT TECHNICAL

Lumen Output:	1000
Lumen LED (tc=25):	1100
Beam Angle:	38°
CCT (Color Temperature):	3000-2000K D2W
CRI / Ra:	90
Color Code:	930-920
MacAdam (SDCM):	3
Lens (Diffuser):	Clear

MOUNTING / CONNECTION

Connection:	QuickConnect
Mounting:	Ceiling, Surface

ELECTRICAL DATA

Dimming:	Phase-Cut
System Power [W]:	2x8
System Voltage [V]:	230V 50Hz
Protection Class:	2
Max load pr circuit - B10:	35
Max load pr circuit - B16:	56
Max load pr circuit - C10:	74
Max load pr circuit - C16:	118
Leakage current [mA]:	0,7
Inrush current I _{max} [A]:	5
Inrush current time [µs]:	300
Socket / Cap-Base:	N/A



FDV SPEC SHEET

Cobra 360° Rotatable Surface Double

Art. no: 6927-D2W-38-2



Lighting Solutions

PRODUCT

To be recessed in insulation:	Not applicable
Ingress Protection:	IP20
Operating Temperature [°C]:	-
Color:	Black
Length [mm]:	186
Height [mm]:	83
Width [mm]:	100
Weight [kg]:	1,2