

# Ultramik UC01 Motion Detector

## INSTALLATION MANUAL



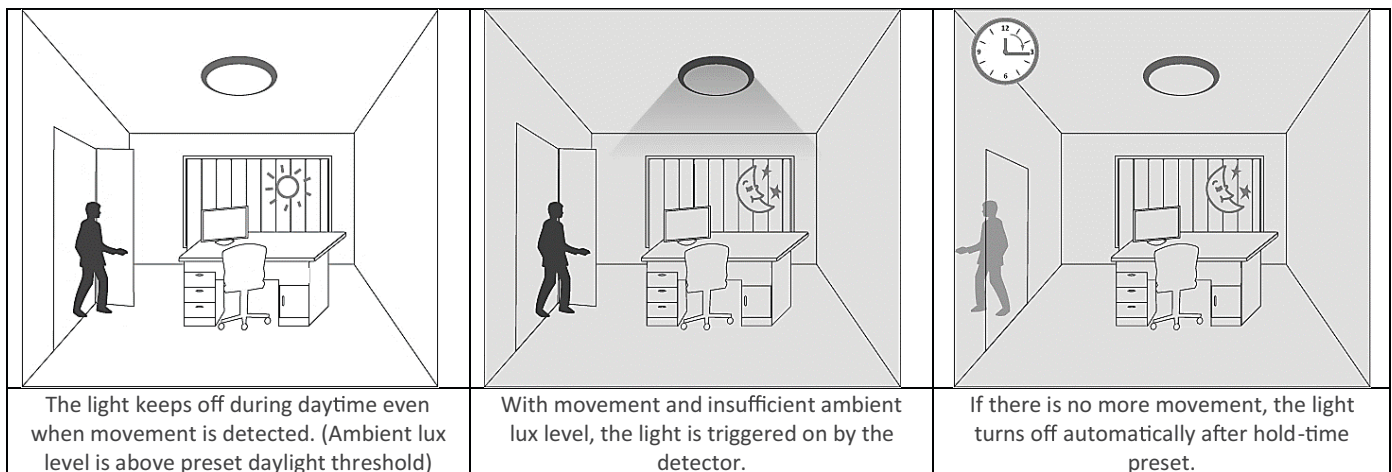
Lighting Solutions

**PLEASE READ THIS MANUAL CAREFULLY AND ADJUST MOTION DETECTOR SETTINGS AS PREFERRED, BEFORE MOUNTING LUMINAIRES**

### 1 Introduction

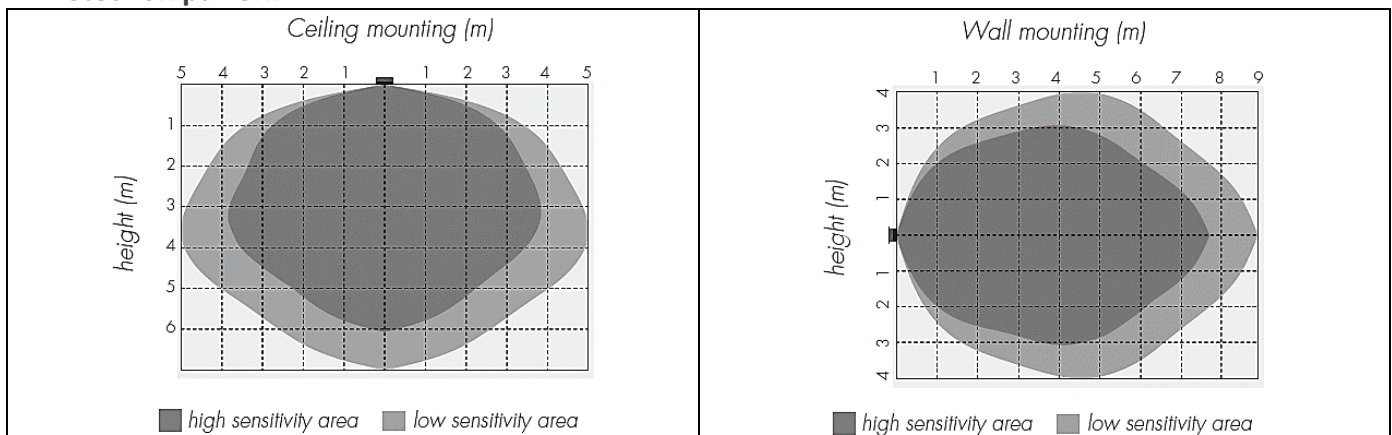
#### Ultramik® motion detector with on/off function

Ultramik UC01 motion detector can turn on the light based on movement. With this detector built in, light is automatically on when needed and off when not.



*note: movement of random objects such as wind-blown things, smaller animals and even larger insects can sometimes be detected and lightning will be triggered.*

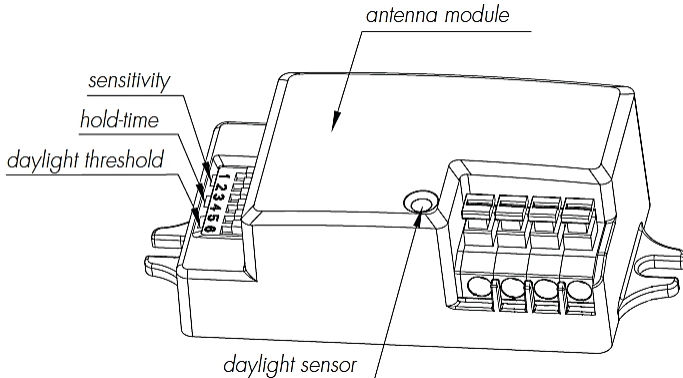
### 2 Detection pattern



### 3 Settings

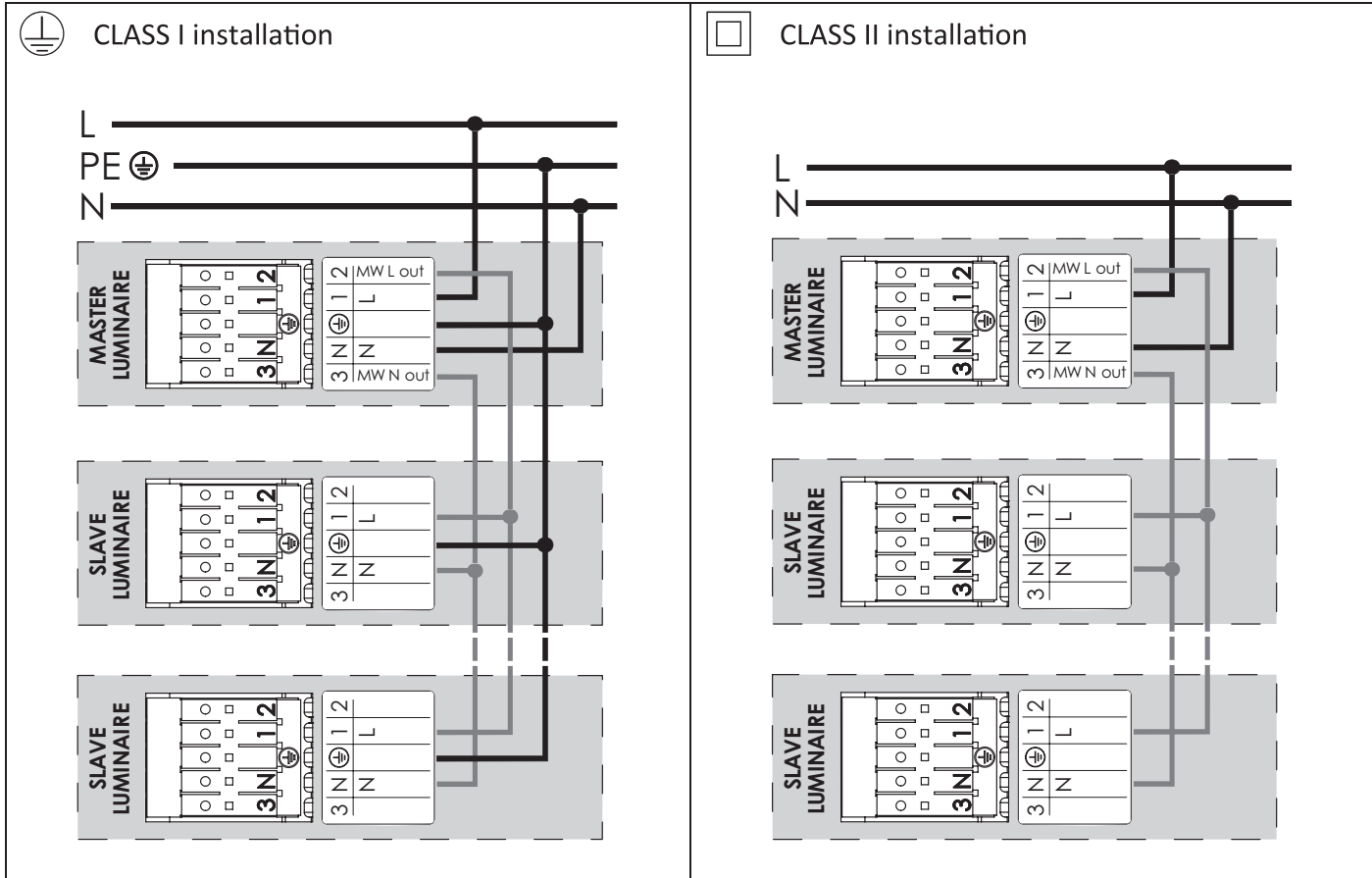
Sensitivity	Hold-time	Daylight sensor																																																												
<p>Sensitivity can be adjusted by selecting the combination on the DIP switches for different applications.</p>	<p>Hold-time refers to the time period that the light remains 100% on if no more movement is detected. Hold-time can be set on DIP switches.</p>	<p>Different daylight threshold can be preset on DIP switches. Light will always turn on upon movement if daylight sensor is disabled.</p>																																																												
<div style="display: flex; align-items: center;"> <table border="1" style="border-collapse: collapse; text-align: center;"> <tr><td></td><td>1</td><td>2</td><td></td></tr> <tr><td>I</td><td>●</td><td>●</td><td>100%</td></tr> <tr><td>II</td><td>●</td><td>○</td><td>75%</td></tr> <tr><td>III</td><td>○</td><td>●</td><td>50%</td></tr> <tr><td>IV</td><td>○</td><td>○</td><td>10%</td></tr> </table> </div> <p style="text-align: center;"><b>default setting: 100%</b></p>		1	2		I	●	●	100%	II	●	○	75%	III	○	●	50%	IV	○	○	10%	<div style="display: flex; align-items: center;"> <table border="1" style="border-collapse: collapse; text-align: center;"> <tr><td></td><td>3</td><td>4</td><td></td></tr> <tr><td>I</td><td>●</td><td>●</td><td>5s</td></tr> <tr><td>II</td><td>●</td><td>○</td><td>90s</td></tr> <tr><td>III</td><td>○</td><td>●</td><td>5min</td></tr> <tr><td>IV</td><td>○</td><td>○</td><td>15min</td></tr> </table> </div> <p style="text-align: center;"><b>default setting: 5s</b></p>		3	4		I	●	●	5s	II	●	○	90s	III	○	●	5min	IV	○	○	15min	<div style="display: flex; align-items: center;"> <table border="1" style="border-collapse: collapse; text-align: center;"> <tr><td></td><td>5</td><td>6</td><td></td></tr> <tr><td>I</td><td>●</td><td>●</td><td>disable</td></tr> <tr><td>II</td><td>●</td><td>○</td><td>50lux</td></tr> <tr><td>III</td><td>○</td><td>●</td><td>10lux</td></tr> <tr><td>IV</td><td>○</td><td>○</td><td>2lux</td></tr> </table> </div> <p style="text-align: center;"><b>default setting: disable</b></p>		5	6		I	●	●	disable	II	●	○	50lux	III	○	●	10lux	IV	○	○	2lux
	1	2																																																												
I	●	●	100%																																																											
II	●	○	75%																																																											
III	○	●	50%																																																											
IV	○	○	10%																																																											
	3	4																																																												
I	●	●	5s																																																											
II	●	○	90s																																																											
III	○	●	5min																																																											
IV	○	○	15min																																																											
	5	6																																																												
I	●	●	disable																																																											
II	●	○	50lux																																																											
III	○	●	10lux																																																											
IV	○	○	2lux																																																											

### 4 Ultranik UC01 specification



Rated load	400W (Capacitive load)/ 800W (Resistive load)
Stand-by power	<0.5W
Microwave frequency	5.8 GHz ±75MHz
Transmitting power	<0.2mW
Maximum mounting height	6m

### 5 Master-Slave control wiring



**⚠ Safety Notes:**

- Installation should only be done by qualified electrician.
- Make sure no voltage while installation