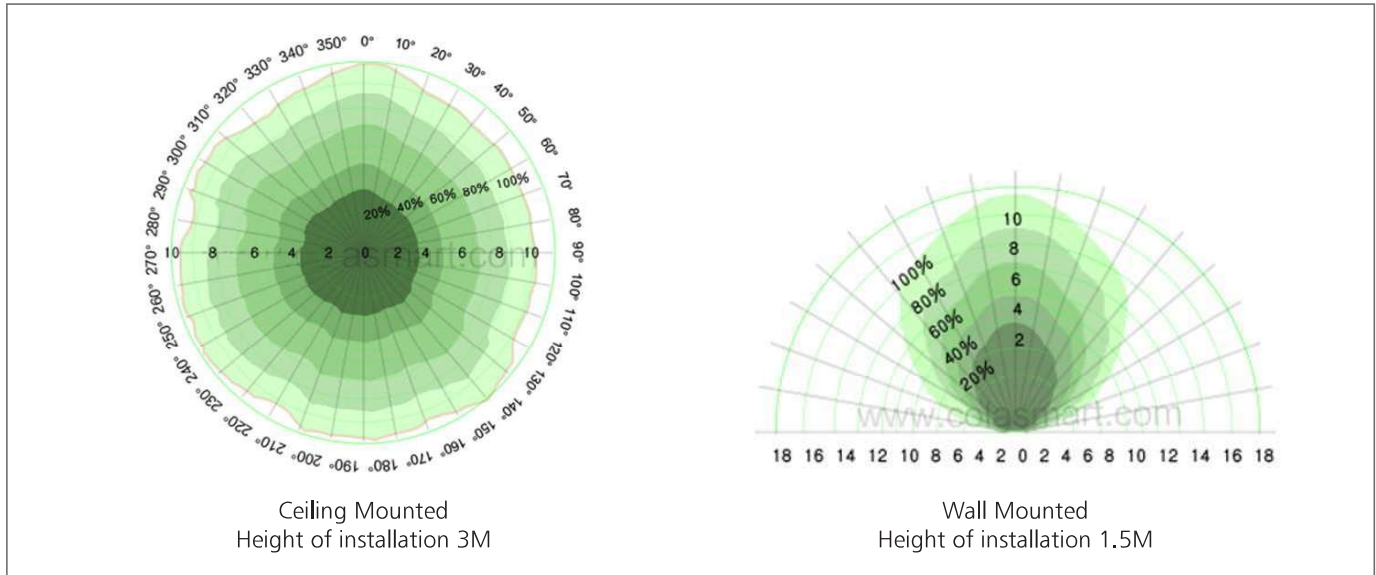
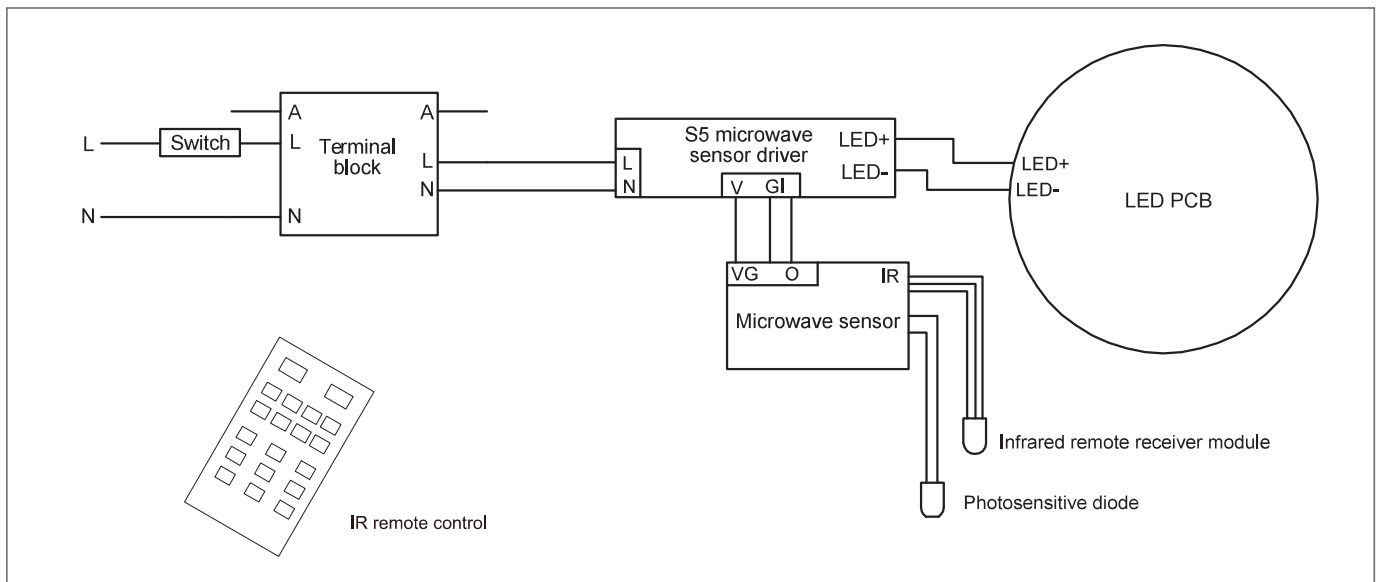


Detection Range Diagram:



Wiring Diagram:



Remote control parameters(Optional)

Model	CS-RCIR-190
Material	Plastic case + silica gel button
Remote distance	< 10m
Power	2pc 3A battery
Size	L120*W45*H18mm

Default setting

Time	30S
Distance	Medium
Daylight-Sensitive	Night
Brightness	Max
Stabby Brightness	0%

