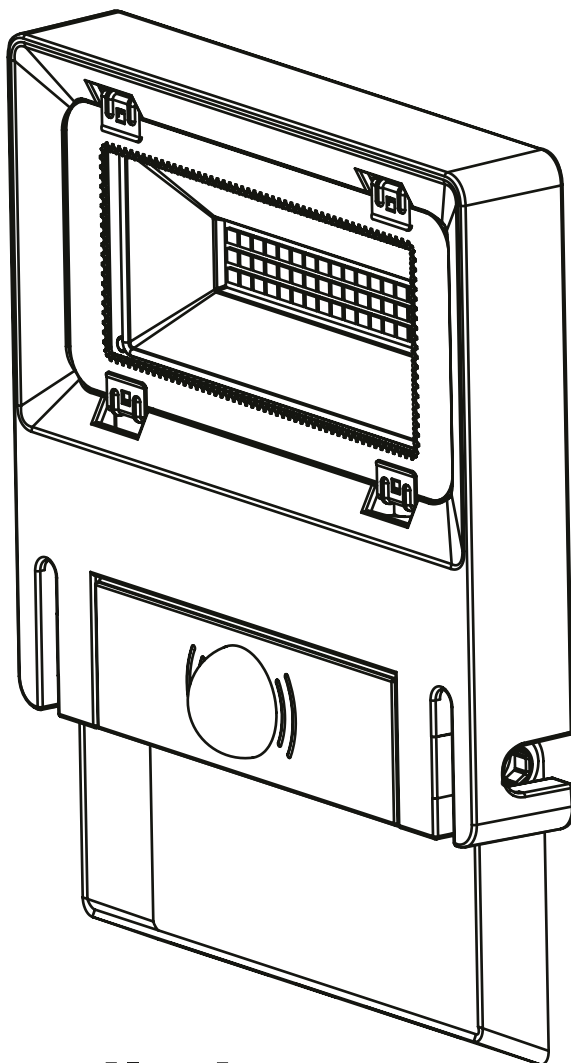


**ART. NO.**

101123-PIR-2

101125-PIR-2

**NORLUX®***Lighting Solutions*

# Michelle Floodlight

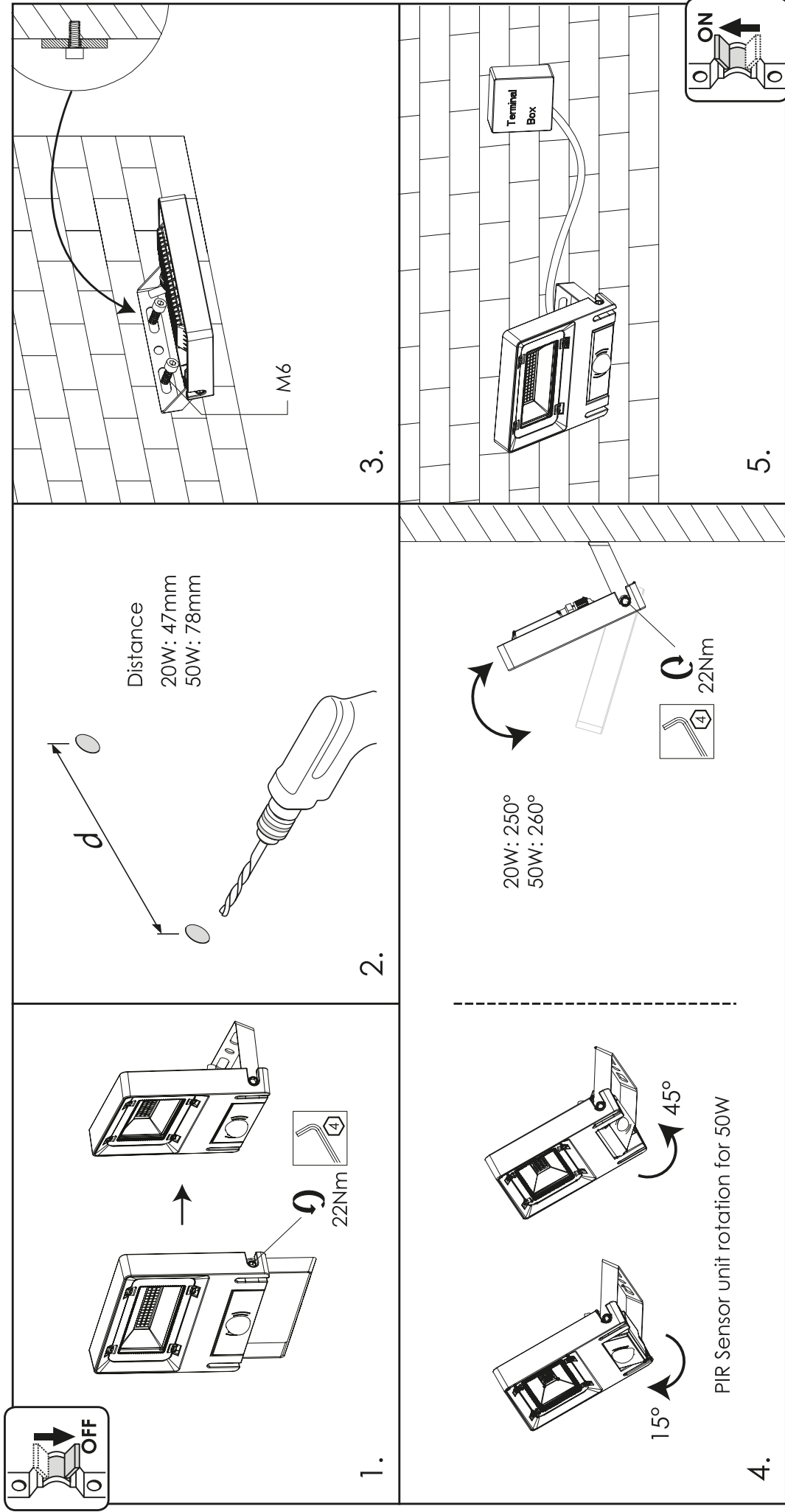
## INSTALLATION MANUAL

**⚠ Safety Notes:**

- The product must be installed, maintained, and operated as instructions below.
- Before starting installation of this product, make sure power supply is disconnected.
- Only to be installed by authorized electrician.
- Do not use abrasives or solvents when cleaning.
- Do not install the product if it appears damaged in any way. Check with manufacturer if in doubt.
- Do not modify this fitting in any matter as this will void warranty.
- Check protection class, if class I, it must be earthed.
- Disconnect power supply before maintenance or cleaning.

**⚠ Sikkerhetsinformasjon:**

- Følg installasjonsmanual for korrekt montering.
- Koble alltid fra strømmen før montering eller vedlikehold.
- Kan kun monteres av autorisert elektriker.
- Monter ikke produktet hvis det er synlig skade. Kontakt forhandler eller produsent.
- Bruk ikke løsemidler ved rengjøring
- Produktet skal ikke under noen omstendigheter endres eller modifiseres.
- Sjekk produktets isolasjonsklasse. Ved isolasjonsklasse I skal produktet jordes.

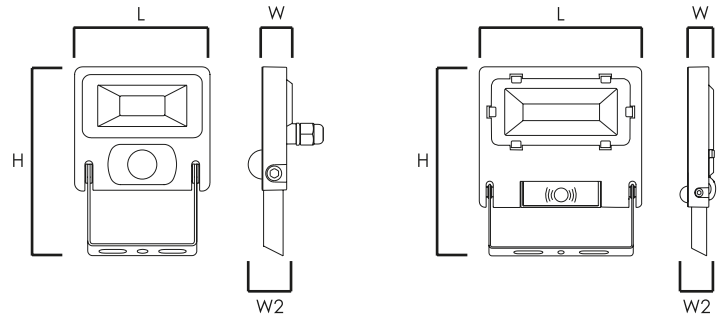


**Informations of maintenance:**

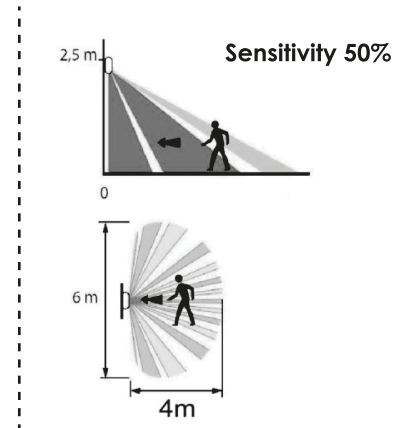
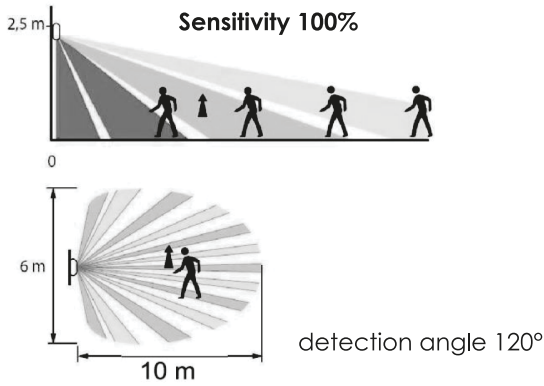
If the power cord is damaged, it must be replaced exclusively by a qualified person with the same characteristics of H05RN-F 3G1mm<sup>2</sup>.

## Dimensions:

Wattage	Length (L)	Width (W)	Width (W2)	Height (H)
20W	107mm	23mm	34mm	150mm
50W	194mm	30mm	40mm	225mm



## Detection distance of PIR Sensor:



## REMOTE CONTROLLER:

**ON:** luminaire ON permanently.  
**OFF:** luminaire OFF, detection OFF.  
 After power disconnection, the luminaire will memorize last setting and restore it when power is resumed.

Default setting: 90s duration after detection 50lux lux level in dusk/dawn time 100% sensitivity level.

Reset ON/OFF

10s 3min 10min → Duration after detection.

15Lux 50Lux Disable → Dusk and dawn lux level setting or disable this function for all-day detection.

10% 30% Sensor 50% → Sensitivity reduce to 50%.

6H 12H 24H/24H → Lumen level setting in the ECO mode (energy saving mode).

Duration timer of ECO mode. The timer will re-start after detection. 24H/24H means the timer is set to be 7x24.

Reset: 90s - 50Lux - 100% sensitivity

**Replacing the battery:**  
 The battery should be replaced if you notice that the driving distance is greatly reduced or if there is no more response from the projector.