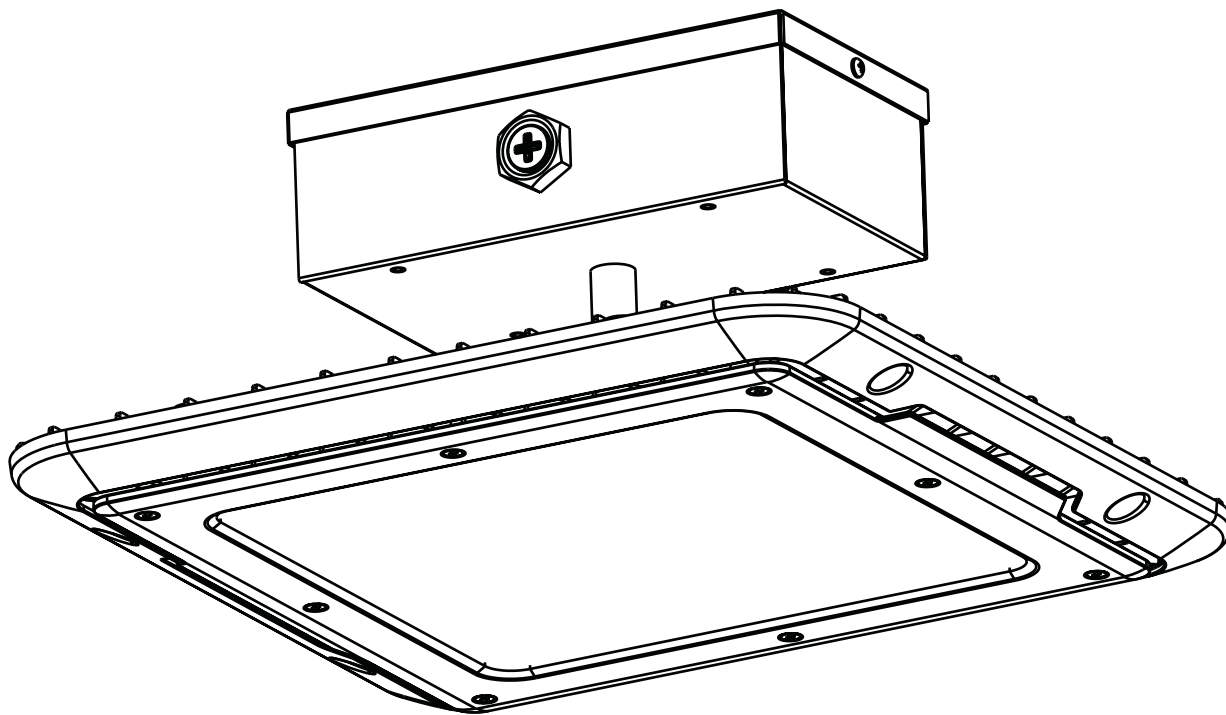


ART. NO.

101420-3

101422-3

NORLUX®*Lighting Solutions*

Petrol

INSTALLATION MANUAL

**⚠ Safety Notes:**

- The product must be installed, maintained, and operated as instructions below.
- Before starting installation of this product, make sure power supply is disconnected.
- Only to be installed by authorized electrician.
- Do not use abrasives or solvents when cleaning.
- Do not install the product if it appears damaged in any way. Check with manufacturer if in doubt.
- Do not modify this fitting in any matter as this will void warranty.
- Check protection class, if class I, it must be earthed.
- Disconnect power supply before maintenance or cleaning.

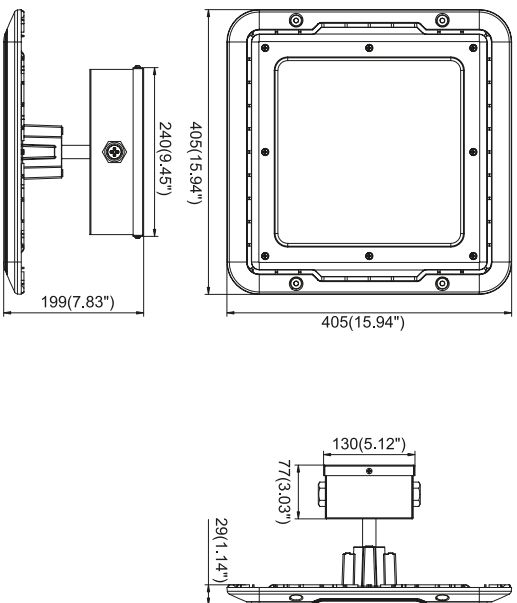
⚠ Sikkerhetsinformasjon:

- Følg installasjonsmanual for korrekt montering.
- Koble alltid fra strømmen før montering eller vedlikehold.
- Kan kun monteres av autorisert elektriker.
- Monter ikke produktet hvis det er synlig skade. Kontakt forhandler eller produsent.
- Bruk ikke løsemidler ved rengjøring
- Produktet skal ikke under noen omstendigheter endres eller modifiseres.
- Sjekk produktets isolasjonsklasse. Ved isolasjonsklasse I skal produktet jordes.

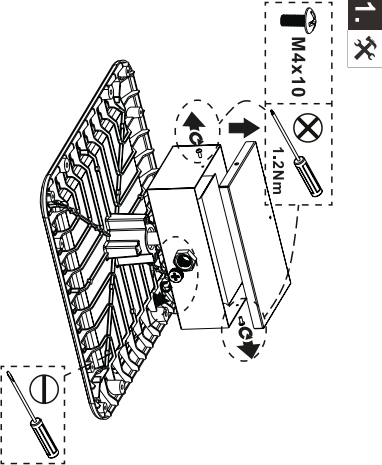


Installation Instructions

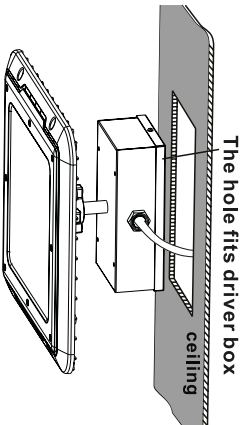
Physical Dimensions(mm/inch)



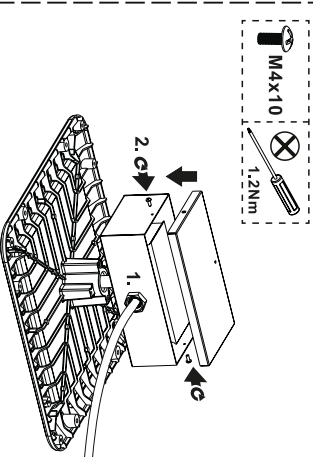
1. X



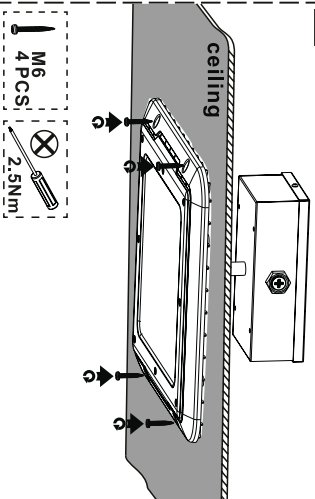
3. X



2. X

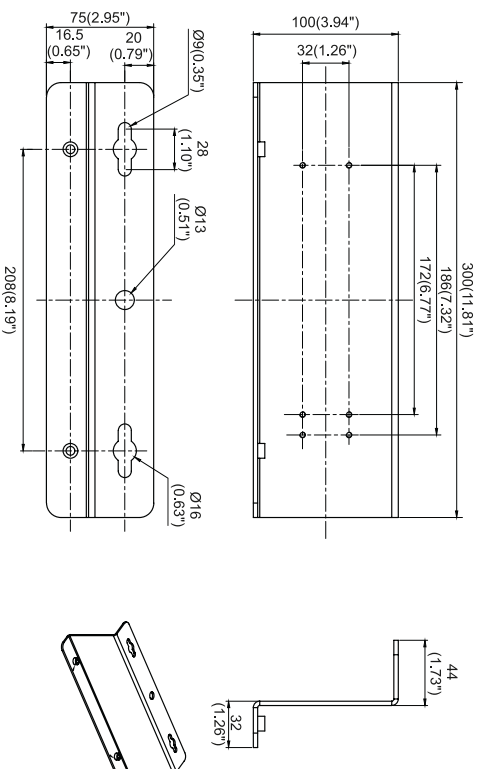


4. X



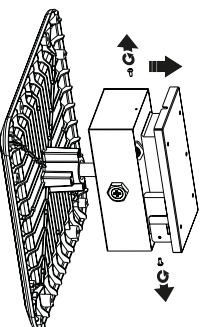
The steps about changing the recessed mounting into surface mounting

Physical Dimensions(mm/inch)

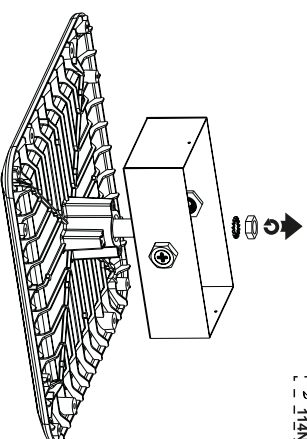


Surface Mounting

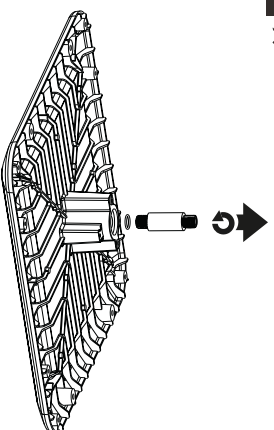
1. X



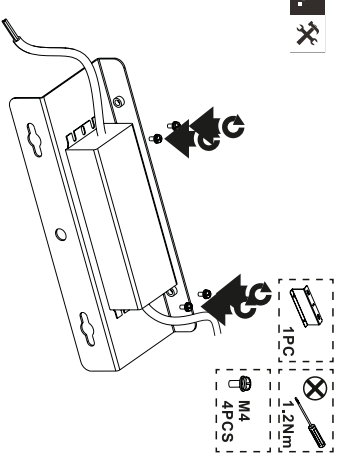
2. X



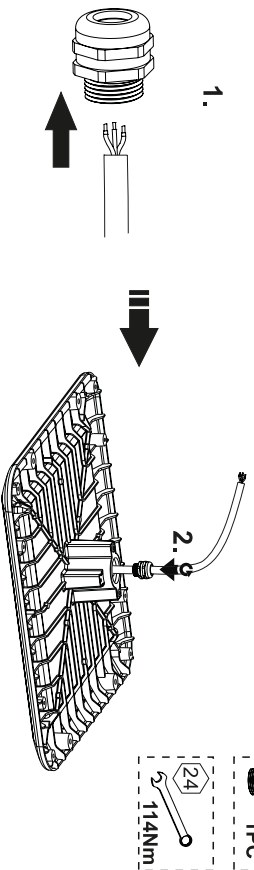
3. X



4. X

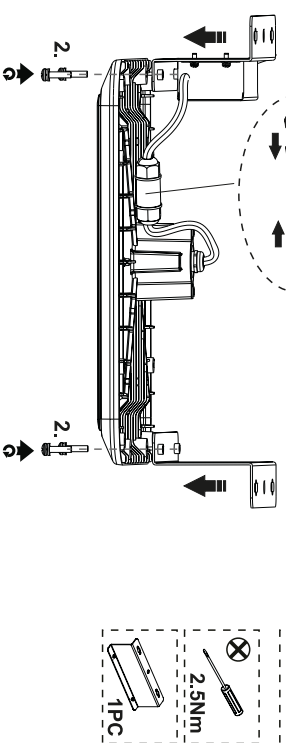


5. ✕



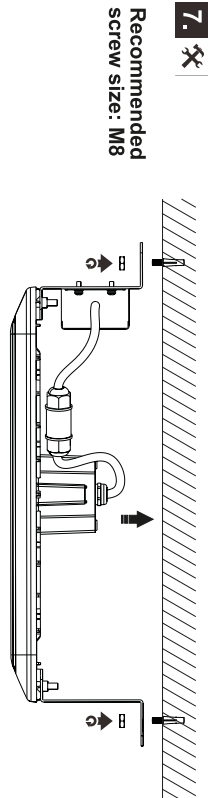
- 1PC
- 114Nmm

6. ✕



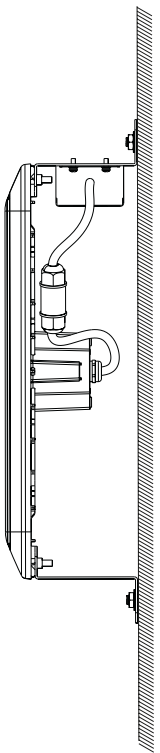
- M6x12
- 4PCS
- 2.5Nm
- 1PC

7. ✕

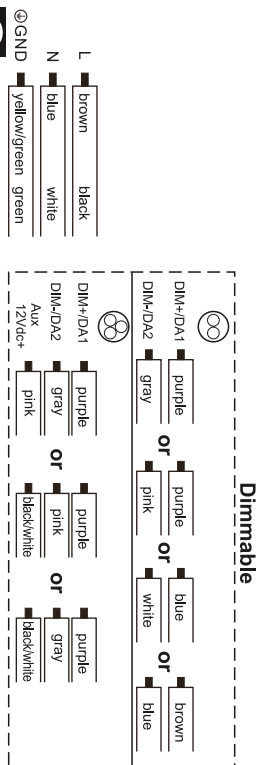


Recommended screw size: M8

8. ✕



Wiring Diagram



Warning! do not wire dim cord to high voltage, or dim function will fail.

Troubleshooting

Problem	Possible Cause	Solutions
LEDs stop working	<ul style="list-style-type: none"> The power line is improperly connected. The power plug is loose. The LED driver malfunctions. The LED chip is damaged. 	<ul style="list-style-type: none"> Reconnect the power cable. Firmly plug the power in. Replace with new driver. Replace with new LEDs.
LEDs flash on and off	<ul style="list-style-type: none"> The output of the driver is abnormal. The LED chip breaks down. 	<ul style="list-style-type: none"> Replace with new driver. Replace with new LED chip.