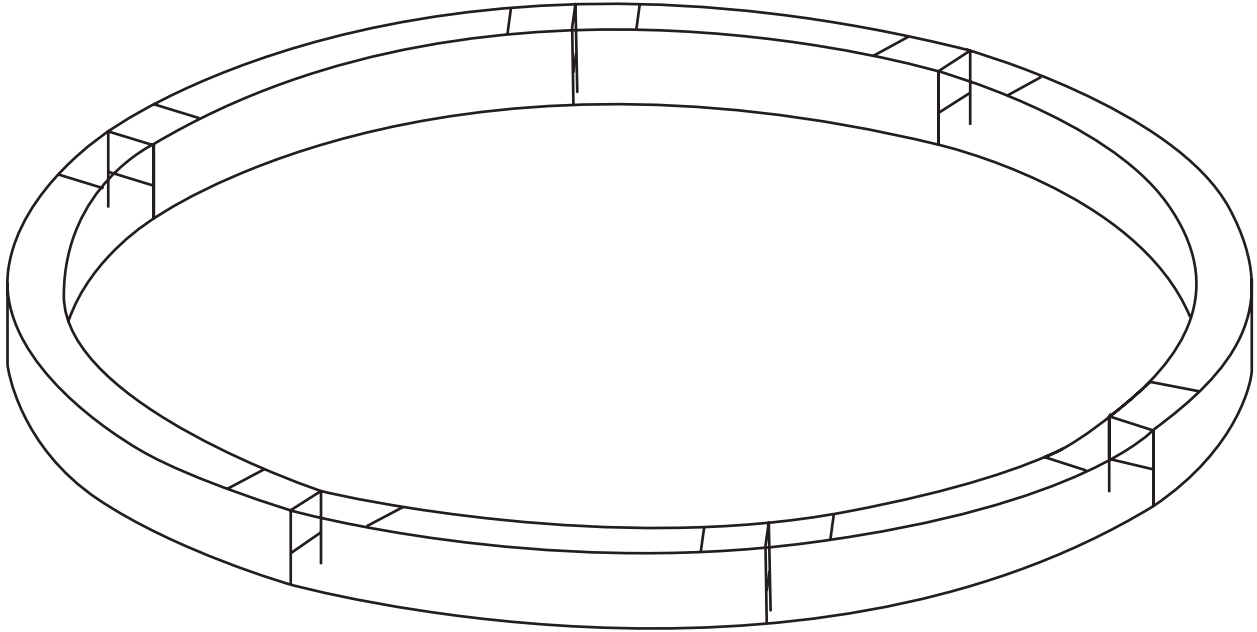


ART. NO.

101300-120-2-ddd
101301-120-2-ddd
101303-120-2-ddd
101304-120-2-ddd

NORLUX[®]

Lighting Solutions



Sircular

INSTALLATION MANUAL



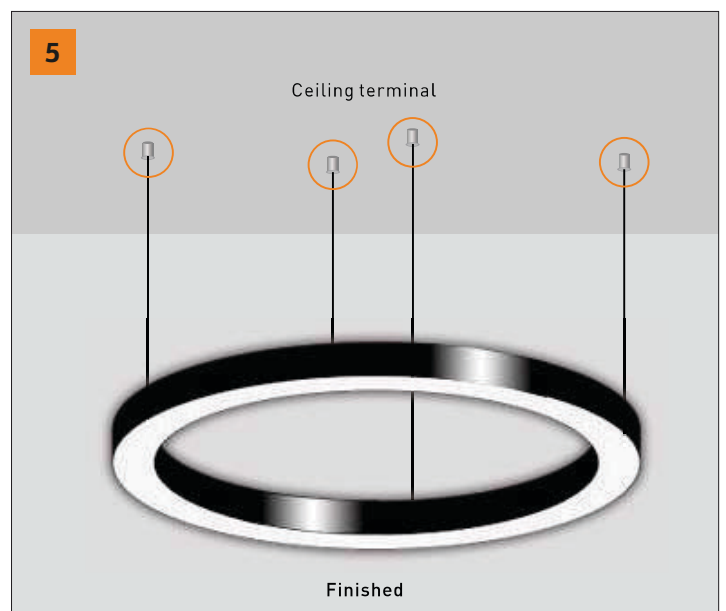
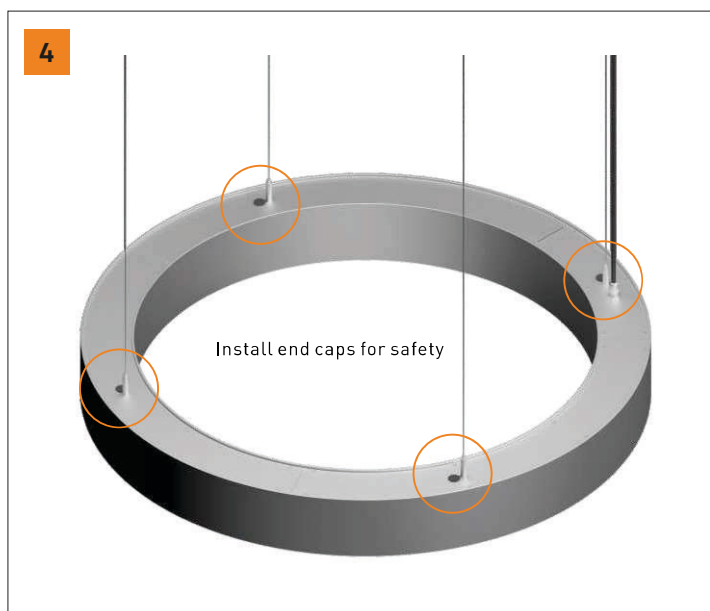
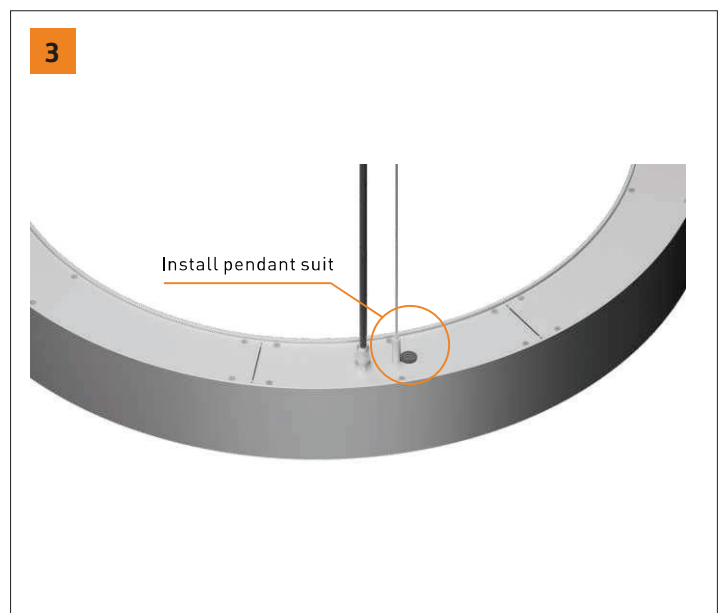
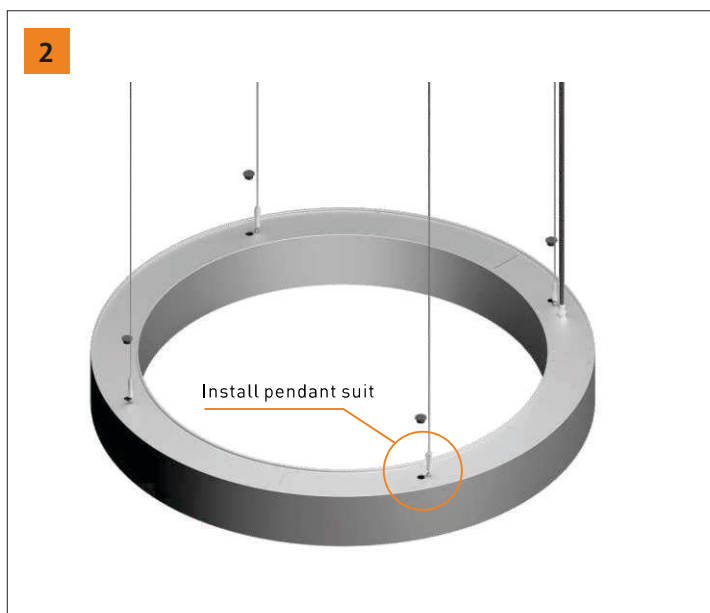
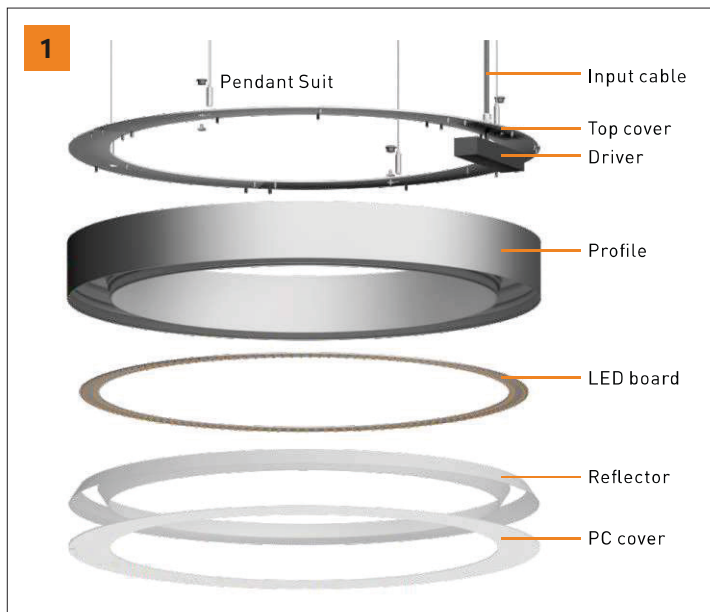
⚠ Safety Notes:

- The product must be installed, maintained, and operated as instructions below.
- Before starting installation of this product, make sure power supply is disconnected.
- Only to be installed by authorized electrician.
- Do not use abrasives or solvents when cleaning.
- Do not install the product if it appears damaged in any way. Check with manufacturer if in doubt.
- Do not modify this fitting in any matter as this will void warranty.
- Check protection class, if class I, it must be earthed.
- Disconnect power supply before maintenance or cleaning.

⚠ Sikkerhetsinformasjon:

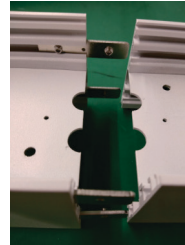
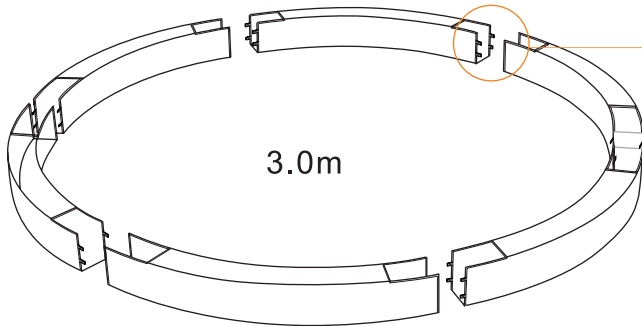
- Følg installasjonsmanual for korrekt montering.
- Koble alltid fra strømmen før montering eller vedlikehold.
- Kan kun monteres av autorisert elektriker.
- Monter ikke produktet hvis det er synlig skade. Kontakt forhandler eller produsent.
- Bruk ikke løsemidler ved rengjøring
- Produktet skal ikke under noen omstendigheter endres eller modifiseres.
- Sjekk produktets isolasjonsklasse. Ved isolasjonsklasse I skal produktet jordes.

PENDANT INSTALLATION

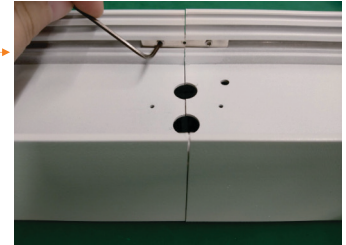


ASSEMBLY INSTRUCTIONS - SIRCULAR Ø3060MM

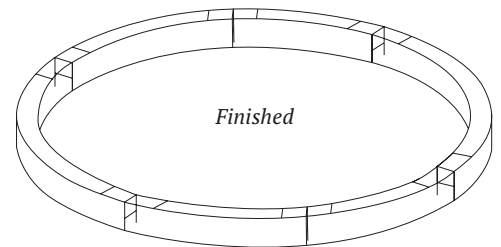
1. Splicing the profiles - install the connectors (24pcs)



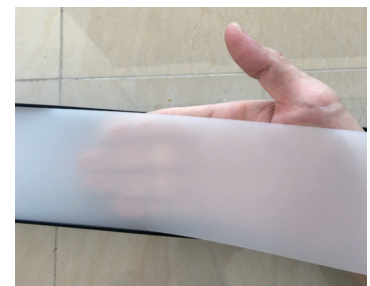
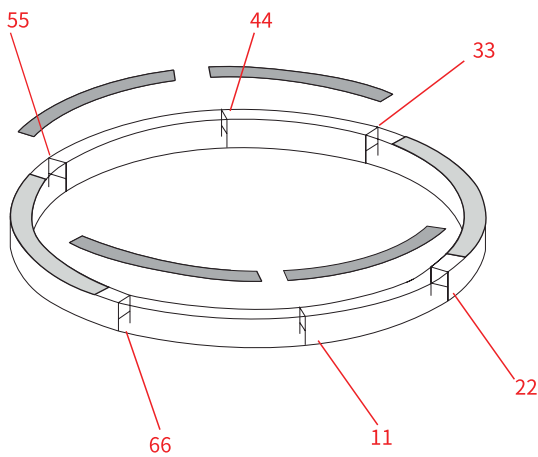
Step 1.



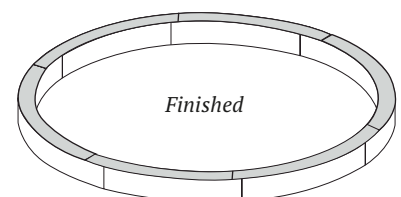
Step 2.



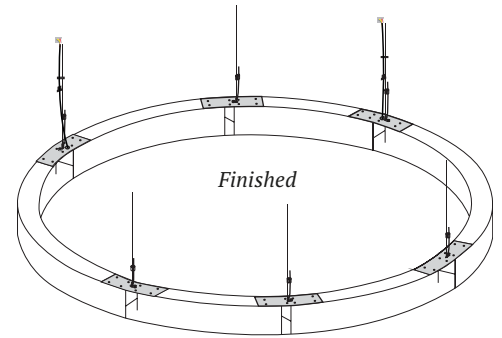
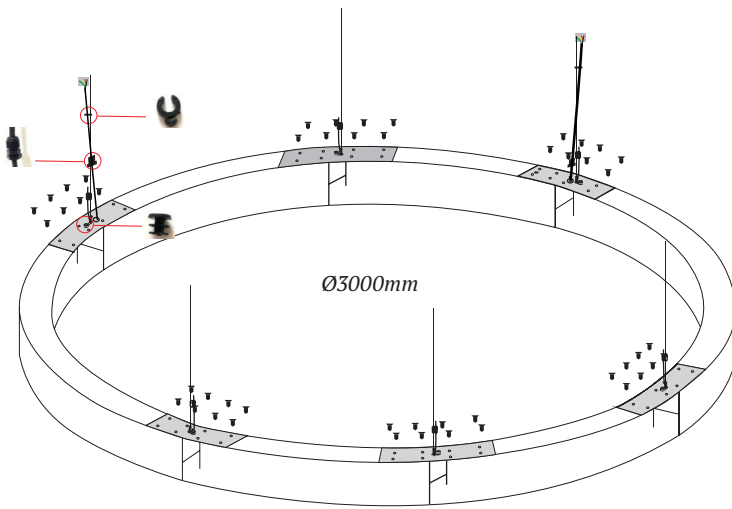
2. Install the PC cover



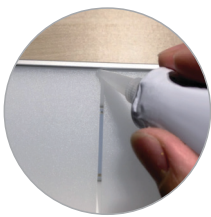
Warning: If the PC cover needs to be pulled out from the profile, do it like this.



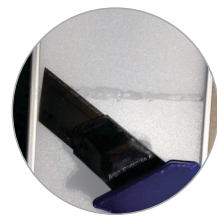
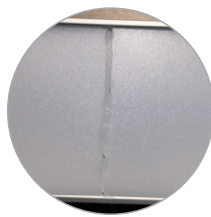
3. Install the suspension cables (6pcs).



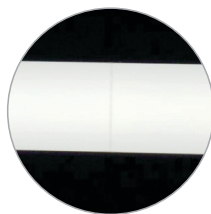
4. If needed, fill the gaps with filler.



Fill the gap with our filler.



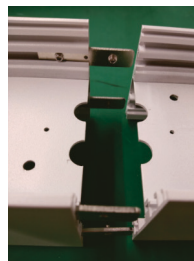
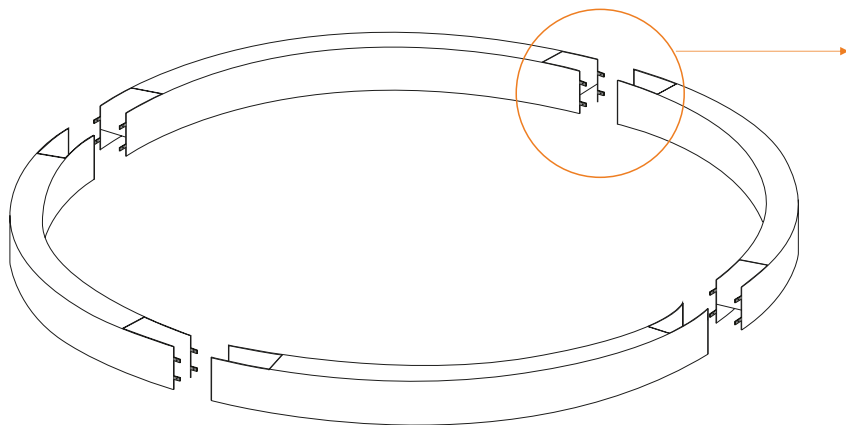
Make the filler smooth with a knife.



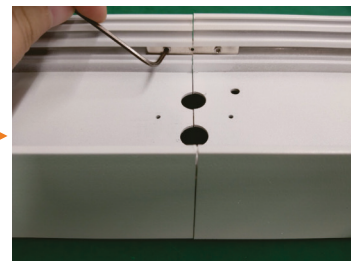
Finished

ASSEMBLY INSTRUCTIONS - SIRCULAR Ø2060MM

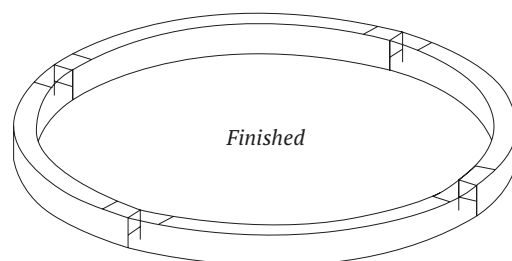
1. Splicing the profiles - install the connectors (16pcs)



Step 1.

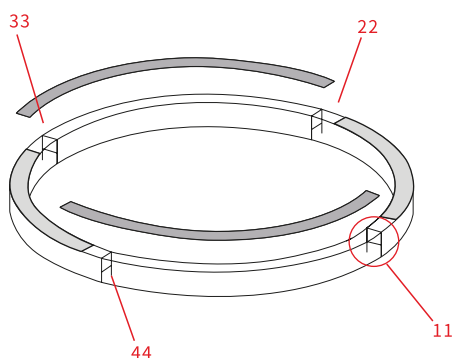


Step 2.

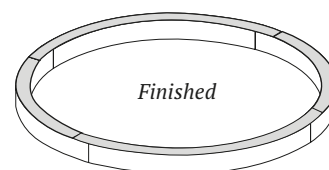


Finished

2. Install the PC cover

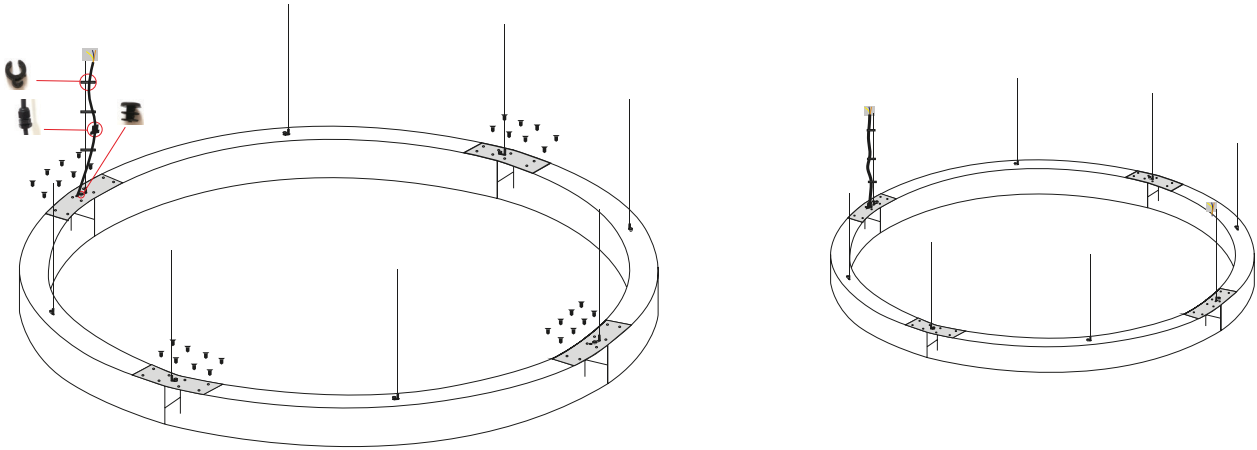


Warning: If the PC cover needs to be pulled out from the profile, do it like this.



Finished

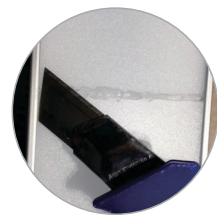
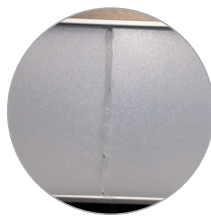
3. Install the suspension cables (8pcs).



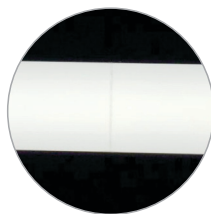
4. If needed, fill the gaps with filler.



Fill the gap with our filler.



Make the filler smooth with a knife.



Finished

