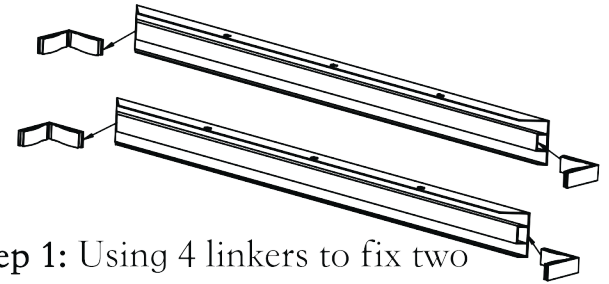
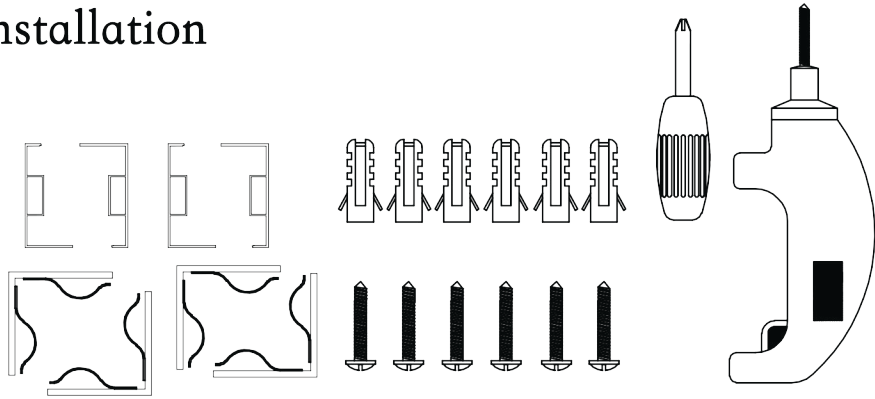
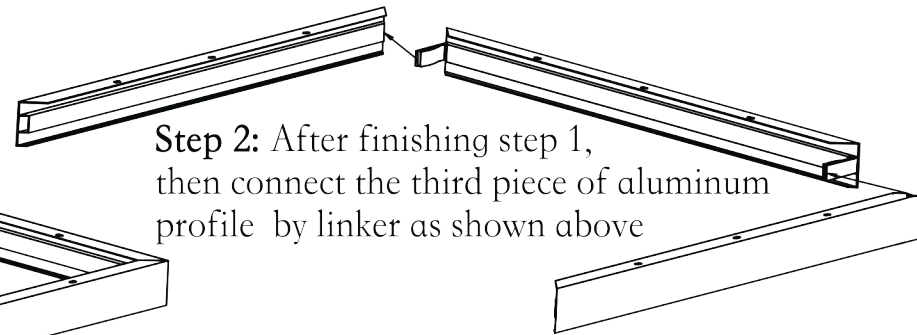


1. Prepare all the accessories ( Aluminum profiles,linker,Screws,impact drill)

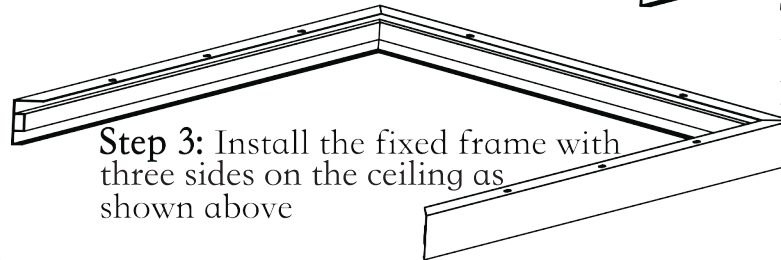
2. Start Installation



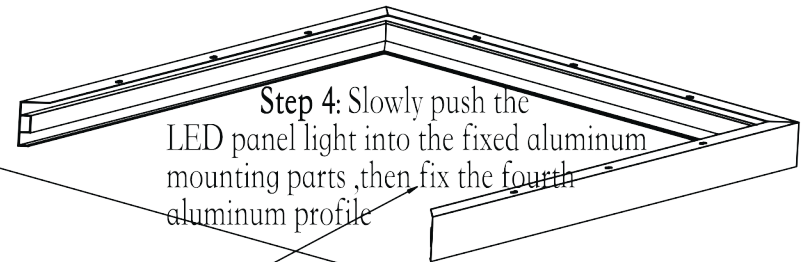
Step 1: Using 4 linkers to fix two aluminum profiles as shown above



Step 2: After finishing step 1, then connect the third piece of aluminum profile by linker as shown above



Step 3: Install the fixed frame with three sides on the ceiling as shown above



Step 4: Slowly push the LED panel light into the fixed aluminum mounting parts, then fix the fourth aluminum profile

Step 5: Finished

