

# Bladeline

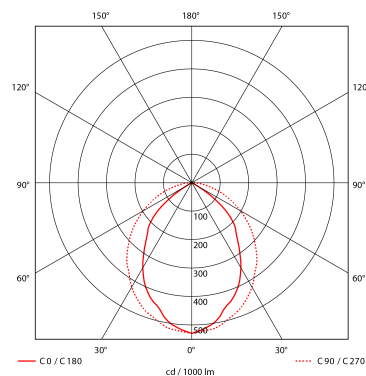
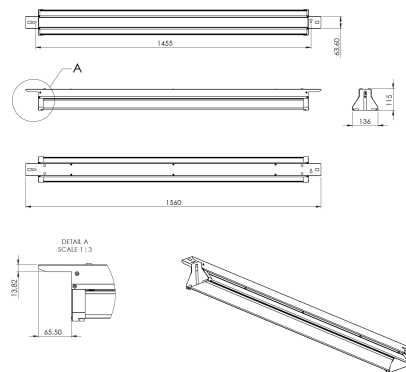
013977-2-00-1



Bladeline is a highly flexible LED luminaire due to the fact that it may be installed surface mounted on the ceiling or on electrical tracks. The Bladeline has a efficiency LED driver providing a high light output. The Bladeline is an innovative LED luminaire with a white louvre front cover meet all demands for use in all retail - and industrial demands. The Louvre front cover made in aluminium reduces glare to a minimum level. The Bladeline is equipped with a chassis connector at each end to ensure a quick and efficient installation.



Lightsource Type:	LED (built in)
System Power [W]:	36/77W
CCT (Color Temperature):	3000K
CRI / Ra:	80
Lumen Output:	4787/9244lm
Lumen LED (tc=25):	5300/10300lm
Beam Angle:	90°
Lens (Diffuser):	Clear
Dimming:	None
System Voltage [V]:	230V 50Hz
Connection:	QuickConnect
Mounting:	Ceiling
Lumen/W:	133lm/W
MacAdam (SDCM):	3
Color:	Grey
Length [mm]:	1560mm
Height [mm]:	115mm
Width [mm]:	136mm
Weight [kg]:	1,15kg



All specifications are nominal values, deviations may occur.  
 Product specifications are subject to change without notice.  
 Electrical equipment designed to be part of a fixed electrical installation can only be installed by a registered installation company