



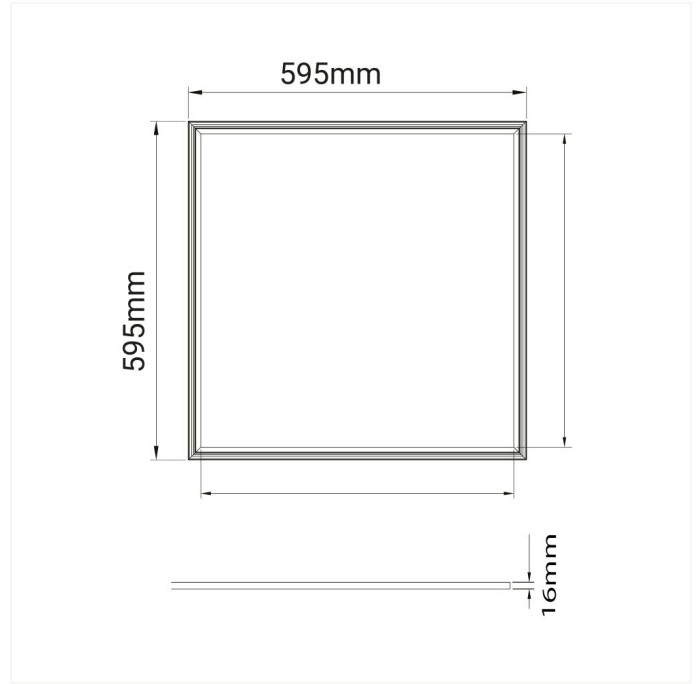
FDV SPEC SHEET

Panel

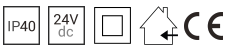
Art. no: 0305-01-3



Lighting Solutions



Panel



Art. no: 0305-01-3

LIGHT TECHNICAL

Lightsource Type:	LED (built in)
Beam Angle:	120°
CCT (Color Temperature):	RGB
CRI / Ra:	80
Color Code:	RGB

MOUNTING / CONNECTION

Connection:	Cable
Mounting:	Recessed, Ceiling

PRODUCT

Ingress Protection:	IP40
Impact Protection:	IK05
Operating Temperature [°C]:	-
Color:	White
Length [mm]:	595
Height [mm]:	16
Width [mm]:	595

ELECTRICAL DATA

Dimming:	Depending on Driver
System Power [W]:	36
System Voltage [V]:	24VDC
Protection Class:	2