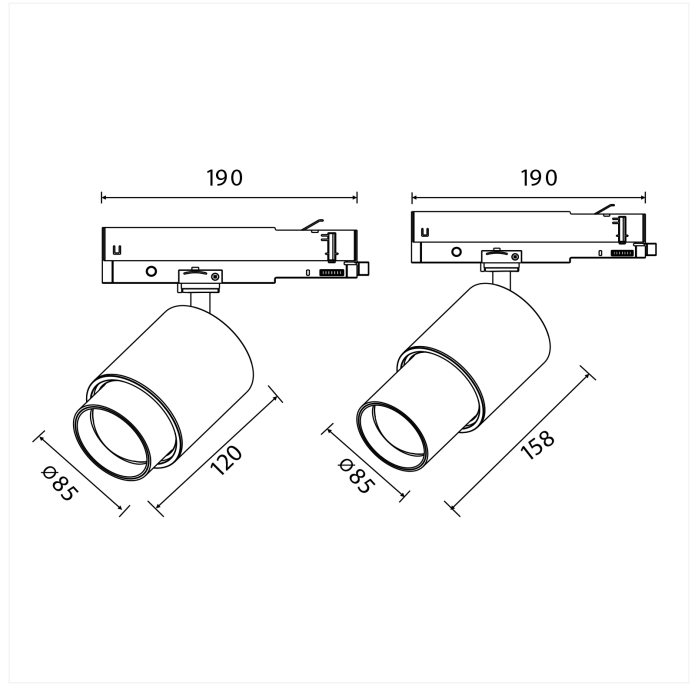




FDV SPEC SHEET
Zoom Spotlight
Art. no: 101143-660-2-ddd



Zoom Spotlight



Art. no: 101143-660-2-ddd

LIGHT TECHNICAL

Lightsource Type:	LED (built in)
Lumen LED (tc=25):	900
Beam Angle:	6°-60°
CCT (Color Temperature):	2700
CRI / Ra:	95
Color Code:	9527
Lens (Diffuser):	Clear

MOUNTING / CONNECTION

Connection:	Track 3-Circuit+dim
Mounting:	Track

PRODUCT

Ingress Protection:	IP20
Operating Temperature [°C]:	-
Color:	Black
Length [mm]:	158
Width [mm]:	85

ELECTRICAL DATA

Dimming:	DALI2
System Power [W]:	20
System Voltage [V]:	230V 50Hz
Protection Class:	1
Socket / Cap-Base:	N/A