



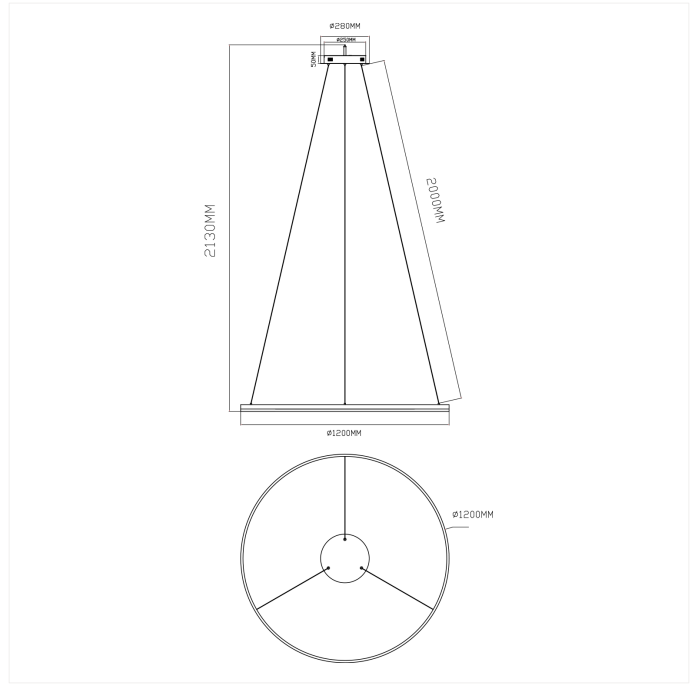
## FDV SPEC SHEET

Halo Pendant

Art. no: 1128-120-9



Lighting Solutions



# Halo Pendant



Art. no: 1128-120-9

### LIGHT TECHNICAL

Lightsource Type:	LED (built in)
Lumen Output:	2200
Lumen LED (tc=25):	5050
Beam Angle:	120
CCT (Color Temperature):	3000
CRI / Ra:	80
Color Code:	830
Lens (Diffuser):	Frosted

### MOUNTING / CONNECTION

Connection:	18i3 Quick connection
Mounting:	Pendant, Ceiling

### PRODUCT

Ingress Protection:	IP20
Operating Temperature [°C]:	-
Color:	Gold/White
Height [mm]:	34
Width [mm]:	1200

### ELECTRICAL DATA

Dimming:	None
System Power [W]:	43
System Voltage [V]:	230V 50Hz
Protection Class:	2
Leakage current [mA]:	0,5
Inrush current I <sub>max</sub> [A]:	5
Voltage Forward Min [V]:	54
Voltage Forward Max [V]:	60