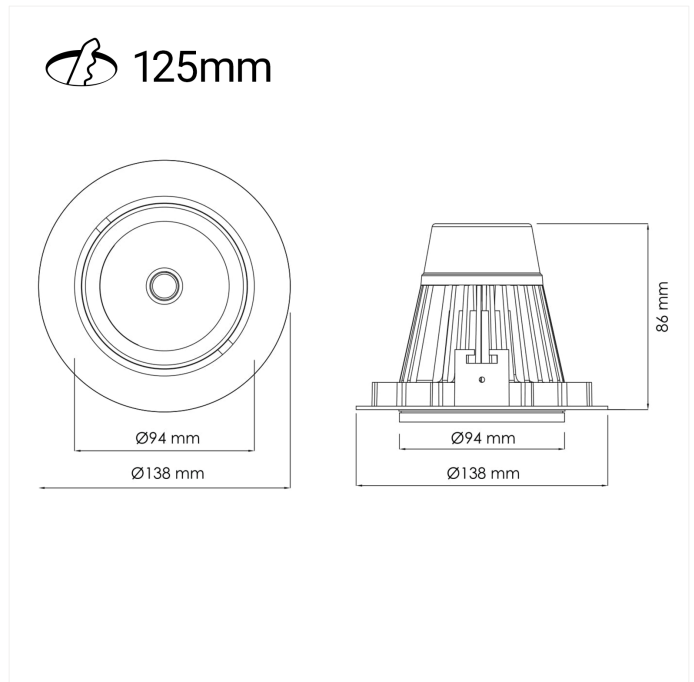


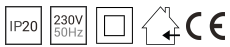


FDV SPEC SHEET

Torres Mini
Art. no: 17028-6-30-1



Torres Mini



Art. no: 17028-6-30-1

LIGHT TECHNICAL

Lightsource Type:	LED (built in)
Lumen Output:	3190
Lumen LED (tc=25):	3350
Beam Angle:	30°
CCT (Color Temperature):	2700
CRI / Ra:	80
Color Code:	827
MacAdam (SDCM):	3
Lens (Diffuser):	Clear

MOUNTING / CONNECTION

Connection:	18i3 Quick connection
Cut-out [mm]:	125
Mounting:	Ceiling, Recessed

ELECTRICAL DATA

UGR (<=):	16
Dimming:	None
System Power [W]:	23
System Voltage [V]:	230V 50Hz
Protection Class:	2
Max load pr circuit - B10:	55
Max load pr circuit - B16:	90
Max load pr circuit - C10:	65
Max load pr circuit - C16:	100
Inrush current I _{max} [A]:	8
Inrush current time [µs]:	100
Socket / Cap-Base:	N/A
Current Output [mA]:	600
Voltage Forward Min [V]:	30,2
Voltage Forward Max [V]:	41,7



FDV SPEC SHEET

Torres Mini

Art. no: 17028-6-30-1



Lighting Solutions

PRODUCT

To be recessed in insulation:	No
Ingress Protection:	IP20
Operating Temperature [°C]:	-
Color:	Grey
Length [mm]:	138
Height [mm]:	86
Width [mm]:	94