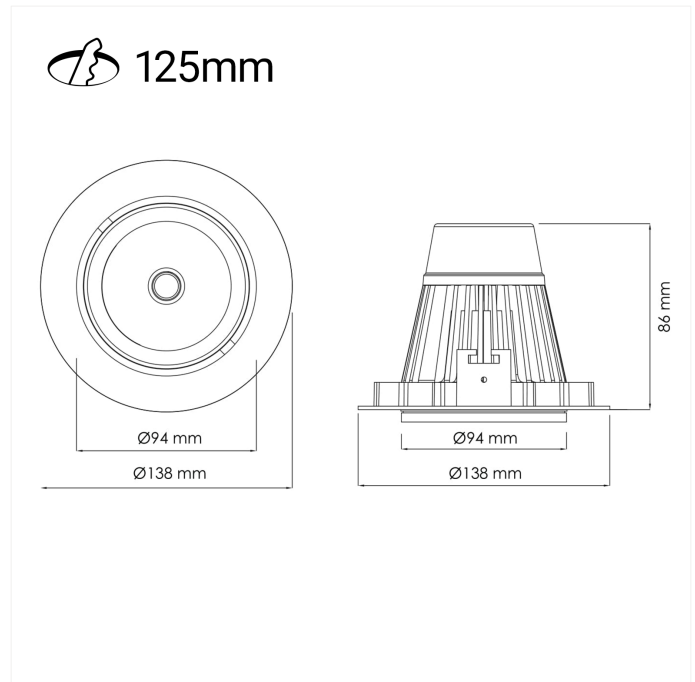


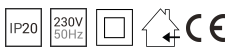


## FDV SPEC SHEET

Torres Mini  
Art. no: 17030-6-10-3



# Torres Mini



Art. no: 17030-6-10-3

### LIGHT TECHNICAL

Lightsource Type:	LED (built in)
Lumen LED (tc=25):	3450
Beam Angle:	10
CCT (Color Temperature):	3000
CRI / Ra:	80
Color Code:	830
MacAdam (SDCM):	3
Lens (Diffuser):	Clear

### MOUNTING / CONNECTION

Connection:	18i3 Quick connection
Cut-out [mm]:	125
Mounting:	Ceiling, Recessed

### ELECTRICAL DATA

Dimming:	None
System Power [W]:	23
System Voltage [V]:	230V 50Hz
Protection Class:	2
Max load pr circuit - B10:	55
Max load pr circuit - B16:	90
Max load pr circuit - C10:	65
Max load pr circuit - C16:	100
Inrush current I <sub>max</sub> [A]:	8
Inrush current time [µs]:	100
Socket / Cap-Base:	N/A
Current Output [mA]:	600
Voltage Forward Min [V]:	30,6
Voltage Forward Max [V]:	39,2



## FDV SPEC SHEET

Torres Mini

Art. no: 17030-6-10-3



*Lighting Solutions*

### PRODUCT

To be recessed in insulation:	No
Ingress Protection:	IP20
Operating Temperature [°C]:	-
Color:	White
Length [mm]:	138
Height [mm]:	86
Width [mm]:	94