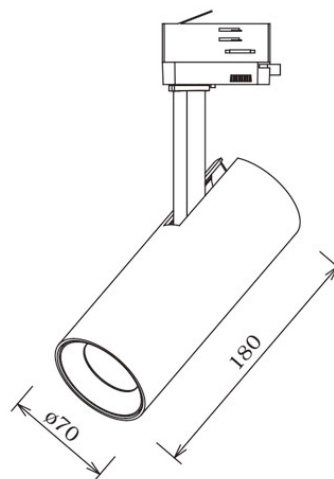


# Cylinder 70



**PRODUCT NO.:**

17055-24-3



**LIGHT TECHNICAL**

Lightsource Type:	LED (built in)
Lumen Output:	1685
Lumen LED (tc=25):	2350
Beam Angle:	24°
CCT (Color Temperature):	3000
CRI / Ra:	90
Color Code:	930
MacAdam (SDCM):	3
Lens (Diffuser):	Clear
UGR (<=):	21

**MOUNTING / CONNECTION**

Connection:	Track 3-Circuit
Mounting:	Ceiling, Track

**PRODUCT**

Ingress Protection:	IP20
Color:	White
Length [mm]:	180
Height [mm]:	225
Width [mm]:	70
Weight [kg]:	0,85

**ELECTRICAL DATA**

Dimming:	None
System Power [W]:	20
System Voltage [V]:	230V 50Hz
Protection Class:	1
Max load pr circuit - B10:	72
Max load pr circuit - B16:	115
Max load pr circuit - C10:	90
Max load pr circuit - C16:	144
Inrush current I <sub>max</sub> [A]:	5
Inrush current time [μs]:	100
Current Output [mA]:	500
Voltage Forward Min [V]:	29,9
Voltage Forward Max [V]:	40,9