



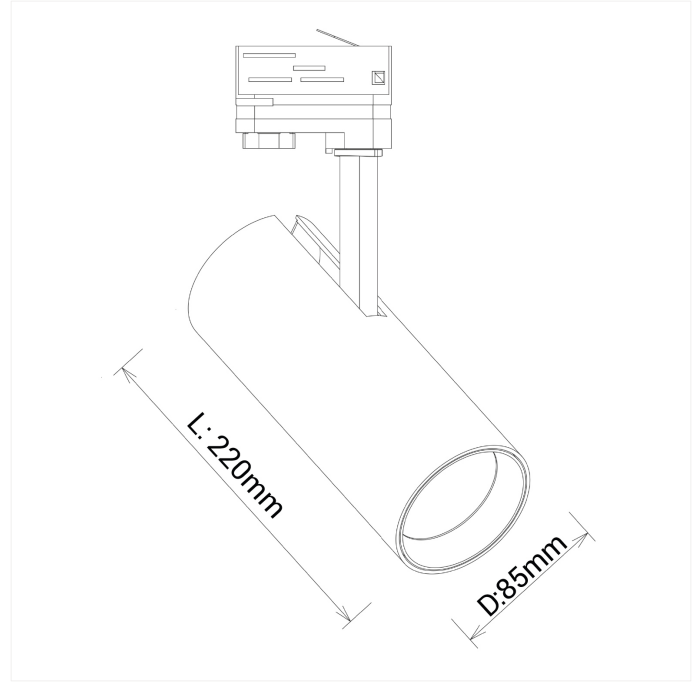
FDV SPEC SHEET

Cylinder 85

Art. no: 17158-45-3



Lighting Solutions



Cylinder 85



Art. no: 17158-45-3

LIGHT TECHNICAL

Lightsource Type:	LED (built in)
Lumen LED (tc=25):	2950
Beam Angle:	45°
CCT (Color Temperature):	Arctic White
CRI / Ra:	95
Color Code:	Arctic White
MacAdam (SDCM):	3
Lens (Diffuser):	Clear
UGR (<=):	19

MOUNTING / CONNECTION

Connection:	Track 3-Circuit
Mounting:	Ceiling, Track

ELECTRICAL DATA

Dimming:	None
System Power [W]:	28
System Voltage [V]:	230V 50Hz
Protection Class:	1
Max load pr circuit - B10:	14
Max load pr circuit - B16:	24
Max load pr circuit - C10:	24
Max load pr circuit - C16:	40
Inrush current I _{max} [A]:	25
Inrush current time [µs]:	150
Current Output [mA]:	700
Voltage Forward Min [V]:	29,2
Voltage Forward Max [V]:	41,6



FDV SPEC SHEET

Cylinder 85

Art. no: 17158-45-3



Lighting Solutions

PRODUCT

Ingress Protection:	IP20
Operating Temperature [°C]:	-
Color:	White
Length [mm]:	220
Height [mm]:	250
Width [mm]:	85
Weight [kg]:	1,2