

# Trimo Mini

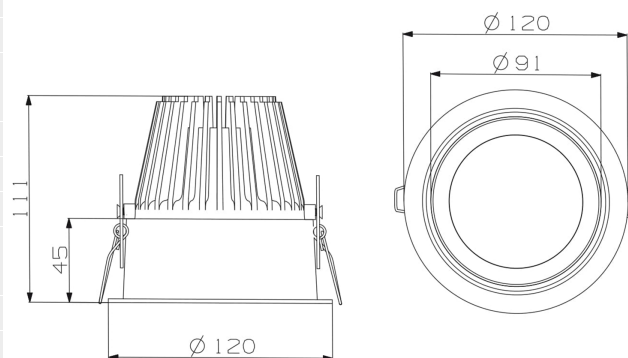
18020-6-30-3-ddd



Our Trimo range of downlights guarantees a minimum of stray light. This is accomplished by using a recessed LED light source. This model requires a hole dimension of 112mm in diameter making it very versatile providing very powerful light. The Trimo Mini has a 18i3 connector and is supplied with a variety of connector solutions.



Lightsource Type:	LED (built in)
System Power [W]:	23W
CCT (Color Temperature):	3000K
CRI / Ra:	80
Lumen Output:	2800lm
Lumen LED (tc=25):	3450lm
Beam Angle:	30°
Lens (Diffuser):	Clear
Dimming:	DALI
System Voltage [V]:	230V 50Hz
Connection:	18i5 DALI Quick connection
Mounting:	Ceiling, Recessed
Cut-out [mm]:	112mm
Lumen/W:	122lm/W
MacAdam (SDCM):	3
Color:	White
Height [mm]:	110mm
Width [mm]:	122mm
Weight [kg]:	0,7kg
To be recessed in insulation:	No



All specifications are nominal values, deviations may occur.  
Product specifications are subject to change without notice.

Electrical equipment designed to be part of a fixed electrical installation can only be installed by a registered installation company