



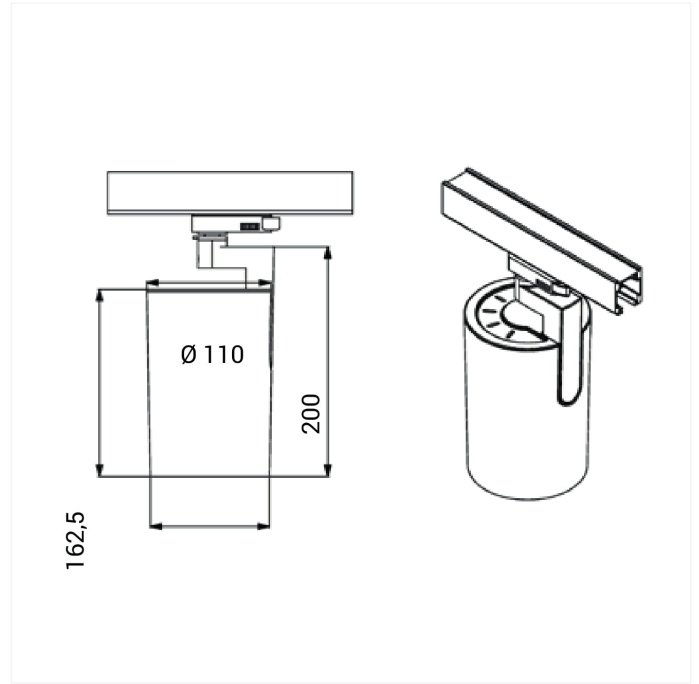
## FDV SPEC SHEET

Ray Mini

Art. no: 18155-6-40-2



Lighting Solutions



## Ray Mini



Art. no: 18155-6-40-2

### LIGHT TECHNICAL

Lightsource Type:	LED (built in)
Lumen Output:	3020
Lumen LED (tc=25):	3450
Beam Angle:	40°
CCT (Color Temperature):	3000
CRI / Ra:	80
Color Code:	830
MacAdam (SDCM):	3
Lens (Diffuser):	Clear
UGR (<=):	17

### MOUNTING / CONNECTION

Connection:	Track 3-Circuit
Mounting:	Ceiling, Track

### ELECTRICAL DATA

Dimming:	None
System Power [W]:	23
System Voltage [V]:	230V 50Hz
Protection Class:	1
Max load pr circuit - B10:	55
Max load pr circuit - B16:	90
Max load pr circuit - C10:	65
Max load pr circuit - C16:	100
Inrush current I <sub>max</sub> [A]:	8
Inrush current time [µs]:	100
Socket / Cap-Base:	N/A
Current Output [mA]:	600
Voltage Forward Min [V]:	30,6
Voltage Forward Max [V]:	39,2



## FDV SPEC SHEET

Ray Mini

Art. no: 18155-6-40-2



*Lighting Solutions*

### PRODUCT

Ingress Protection:	IP20
Operating Temperature [°C]:	-
Color:	Black
Height [mm]:	200
Width [mm]:	110