

Ray Mini

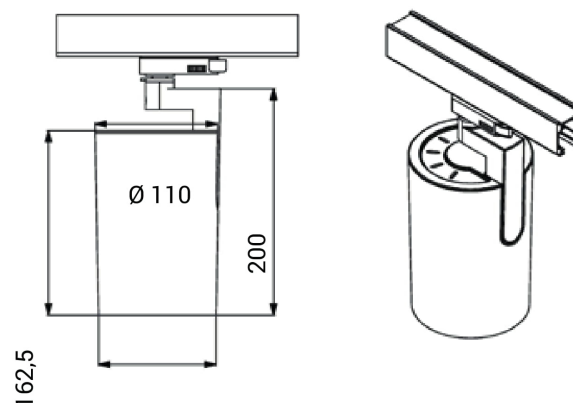
18160-6-20-2



Ray Mini uses the possibilities created by new technology. The LED driver is mounted inside the luminaire body. This gives us a slim design combined with a powerful lightoutput that can be easily adjusted in all directions to meet all needs. Ray Mini can be tilted 90 degrees and rotated 350 degrees its own axis. To create further opportunities to play with light you can mount a diffuser on the luminaire, this can be ordered separately.



| | |
|--------------------------|-----------------|
| Lightsource Type: | LED (built in) |
| System Power [W]: | 23W |
| CCT (Color Temperature): | 4000K |
| CRI / Ra: | 80 |
| Lumen Output: | 3179lm |
| Lumen LED (tc=25): | 3600lm |
| Beam Angle: | 20° |
| Lens (Diffuser): | Clear |
| Dimming: | None |
| System Voltage [V]: | 230V 50Hz |
| Connection: | Track 3-Circuit |
| Mounting: | Ceiling, Track |
| UGR (<=): | 16 |
| Lumen/W: | 138lm/W |
| MacAdam (SDCM): | 3 |
| Color: | Black |
| Height [mm]: | 200mm |
| Width [mm]: | 110mm |



All specifications are nominal values, deviations may occur.
 Product specifications are subject to change without notice.
 Electrical equipment designed to be part of a fixed electrical installation can only be installed by a registered installation company