



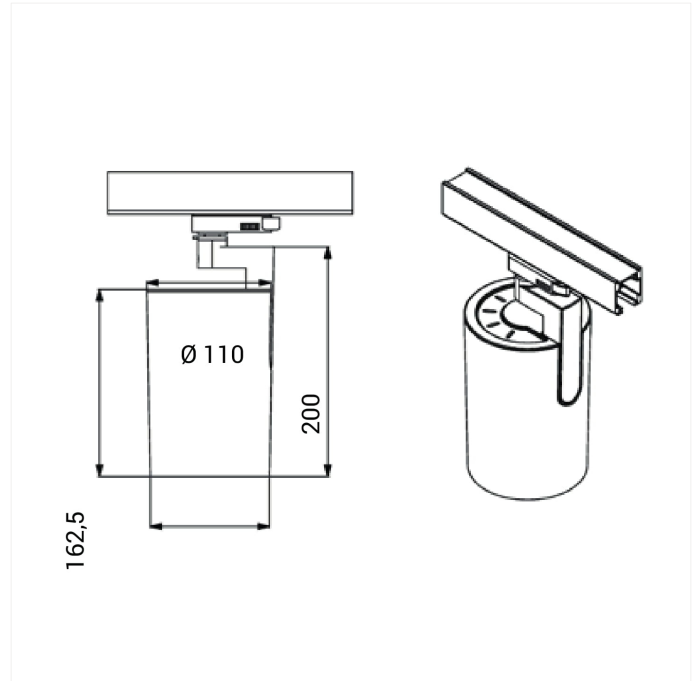
## FDV SPEC SHEET

Ray Mini

Art. no: 18170-6-40-3



Lighting Solutions



# Ray Mini



Art. no: 18170-6-40-3

### LIGHT TECHNICAL

Lightsource Type:	LED (built in)
Lumen Output:	1751
Lumen LED (tc=25):	1950
Beam Angle:	40°
CCT (Color Temperature):	Fresh Food
CRI / Ra:	80
Color Code:	Fresh Food
MacAdam (SDCM):	4
Lens (Diffuser):	Clear
UGR (<=):	16

### MOUNTING / CONNECTION

Connection:	Track 3-Circuit
Mounting:	Ceiling, Track

### ELECTRICAL DATA

Dimming:	None
System Power [W]:	23
System Voltage [V]:	230V 50Hz
Protection Class:	1
Max load pr circuit - B10:	14
Max load pr circuit - B16:	24
Max load pr circuit - C10:	24
Max load pr circuit - C16:	40
Inrush current I <sub>max</sub> [A]:	25
Inrush current time [µs]:	150
Socket / Cap-Base:	N/A
Current Output [mA]:	600
Voltage Forward Min [V]:	30,2
Voltage Forward Max [V]:	41,7



## FDV SPEC SHEET

Ray Mini

Art. no: 18170-6-40-3



*Lighting Solutions*

### PRODUCT

Ingress Protection:	IP20
Operating Temperature [°C]:	-
Color:	White
Height [mm]:	200
Width [mm]:	110