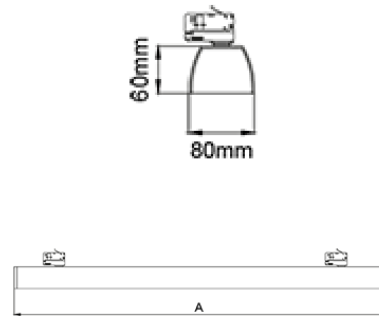


Linea Extrude



PRODUCT NO.:

19035-01-3



LIGHT TECHNICAL

Lightsource Type:	LED (built in)
Lumen Output:	3855
Lumen LED (tc=25):	4285
Beam Angle:	90
CCT (Color Temperature):	3000
CRI / Ra:	80
Color Code:	830
Lens (Diffuser):	Opal

MOUNTING / CONNECTION

Connection:	Track 3-Circuit
Mounting:	Ceiling, Track

PRODUCT

Ingress Protection:	IP20
Color:	White
Length [mm]:	1150
Height [mm]:	75
Width [mm]:	80
Weight [kg]:	2550

ELECTRICAL DATA

Dimming:	None
System Power [W]:	38
System Voltage [V]:	230V 50Hz
Protection Class:	1
Max load pr circuit - B10:	35
Max load pr circuit - B16:	55
Max load pr circuit - C10:	40
Max load pr circuit - C16:	60
Inrush current I _{max} [A]:	5
Inrush current time [μs]:	37
Current Output [mA]:	350