



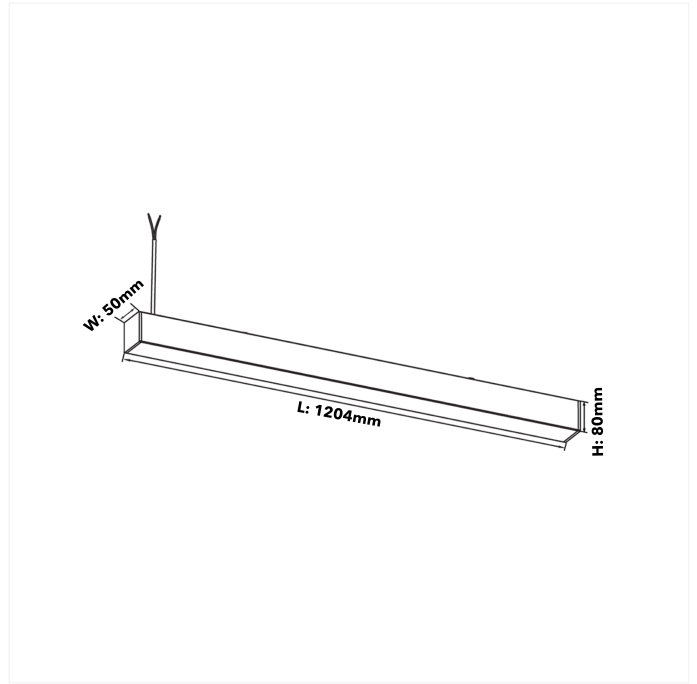
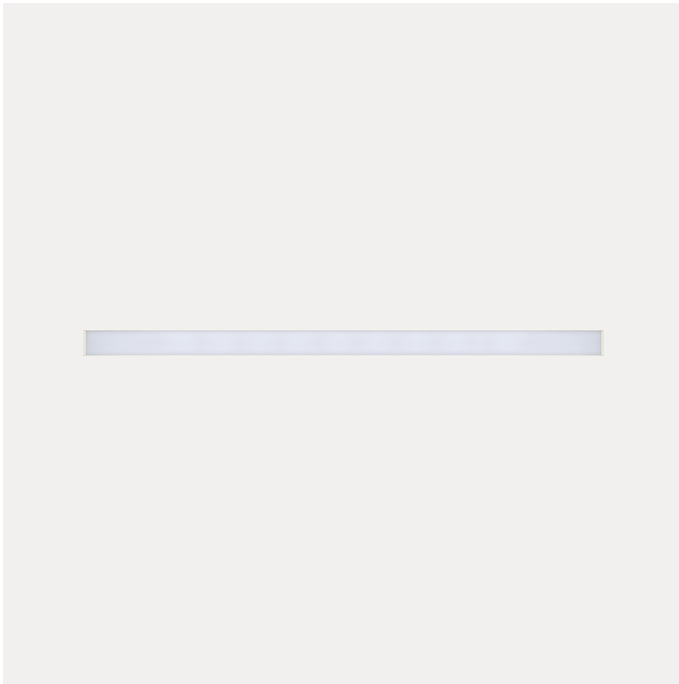
FDV SPEC SHEET

Linear

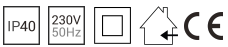
Art. no: 19036-01-2



Lighting Solutions



Linear



Art. no: 19036-01-2

LIGHT TECHNICAL

| | |
|--------------------------|----------------|
| Lightsource Type: | LED (built in) |
| Lumen Output: | 2852 |
| Lumen LED (tc=25): | 4300 |
| Beam Angle: | 110° |
| CCT (Color Temperature): | 3000 |
| CRI / Ra: | 80 |
| Color Code: | 830 |
| Lens (Diffuser): | Opal |

MOUNTING / CONNECTION

| | |
|-------------|-----------------|
| Connection: | Track 3-Circuit |
| Mounting: | Ceiling, Track |

ELECTRICAL DATA

| | |
|--------------------------------------|-----------|
| Dimming: | None |
| System Power [W]: | 36 |
| System Voltage [V]: | 230V 50Hz |
| Protection Class: | 2 |
| Max load pr circuit - B10: | 16 |
| Max load pr circuit - B16: | 25 |
| Max load pr circuit - C10: | 18 |
| Max load pr circuit - C16: | 28 |
| Leakage current [mA]: | 5 |
| Inrush current I _{max} [A]: | 60 |
| Inrush current time [µs]: | 3,5 |
| Socket / Cap-Base: | N/A |
| Voltage Forward Min [V]: | 2,8 |
| Voltage Forward Max [V]: | 3,1 |



FDV SPEC SHEET

Linear

Art. no: 19036-01-2



Lighting Solutions

PRODUCT

| | |
|-----------------------------|----------------|
| Ingress Protection: | IP40 |
| Impact Protection: | IK08 |
| Operating Temperature [°C]: | - |
| Lifetime [h]: | L80B50: 50.000 |
| Color: | Black |
| Length [mm]: | 1204 |
| Height [mm]: | 140 |
| Width [mm]: | 50 |
| Weight [kg]: | 3,5 |