



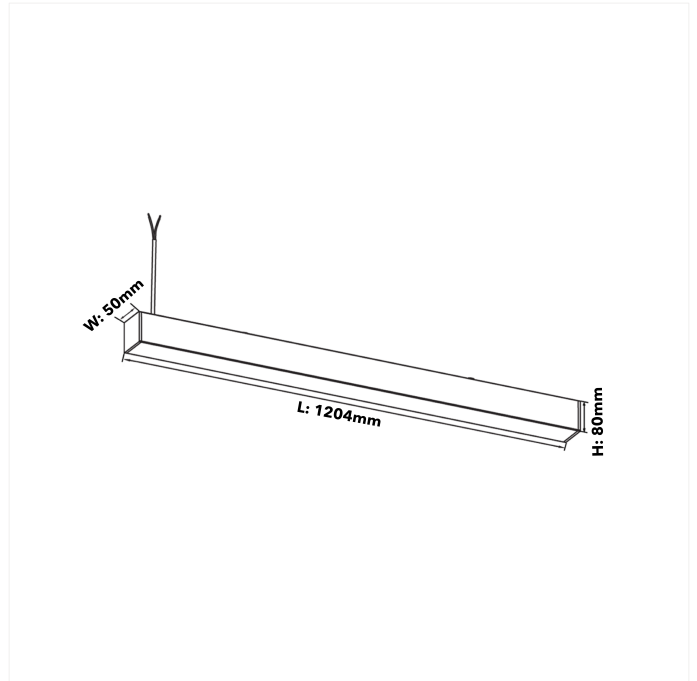
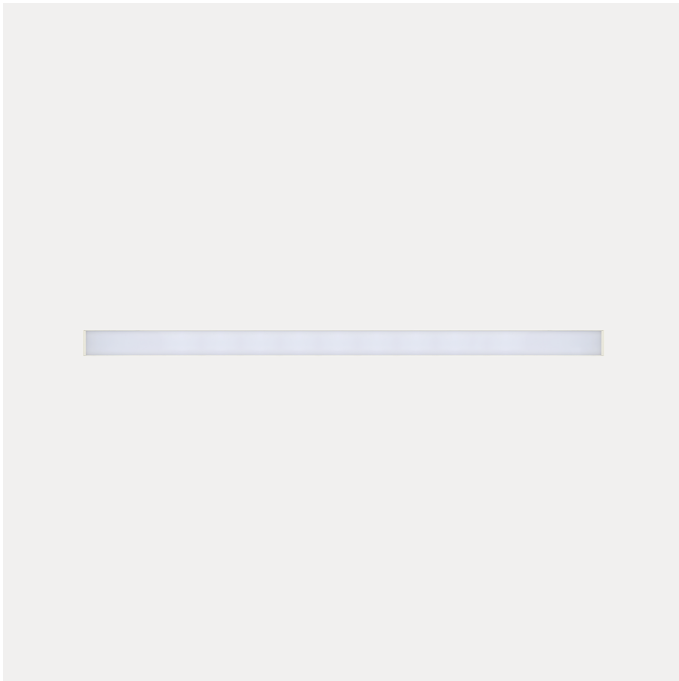
# FDV SPEC SHEET

Linear

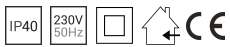
Art. no: 19036-01-3



Lighting Solutions



## Linear



Art. no: 19036-01-3

### LIGHT TECHNICAL

Lightsource Type:	LED (built in)
Lumen Output:	2852
Lumen LED (tc=25):	4300
Beam Angle:	110°
CCT (Color Temperature):	3000
CRI / Ra:	80
Color Code:	830
Lens (Diffuser):	Opal

### MOUNTING / CONNECTION

Connection:	Track 3-Circuit
Mounting:	Ceiling, Track

### ELECTRICAL DATA

Dimming:	None
System Power [W]:	36
System Voltage [V]:	230V 50Hz
Protection Class:	2
Max load pr circuit - B10:	16
Max load pr circuit - B16:	25
Max load pr circuit - C10:	18
Max load pr circuit - C16:	28
Leakage current [mA]:	5
Inrush current I <sub>max</sub> [A]:	60
Inrush current time [µs]:	3,5
Socket / Cap-Base:	N/A
Voltage Forward Min [V]:	2,8
Voltage Forward Max [V]:	3,1



## FDV SPEC SHEET

Linear

Art. no: 19036-01-3



*Lighting Solutions*

### PRODUCT

Ingress Protection:	IP40
Impact Protection:	IK08
Operating Temperature [°C]:	-
Lifetime [h]:	L80B50: 50.000
Color:	White
Length [mm]:	1204
Height [mm]:	140
Width [mm]:	50
Weight [kg]:	3,5