



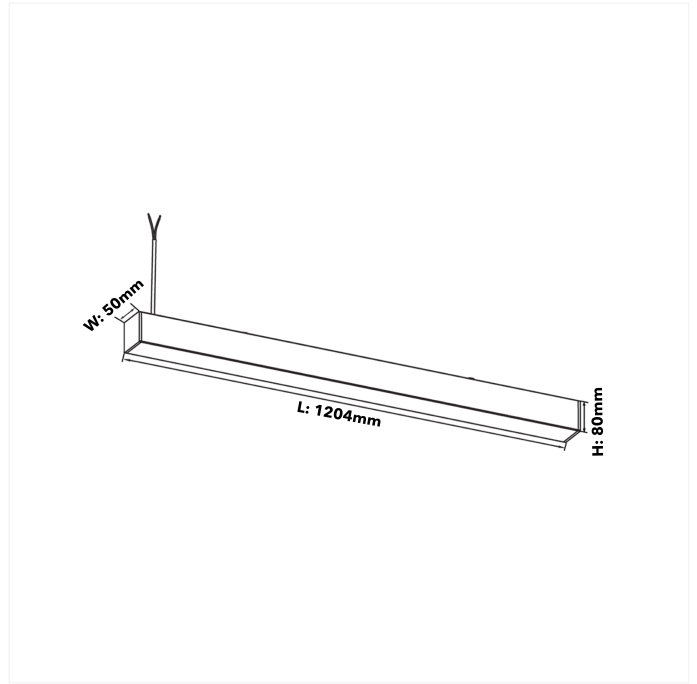
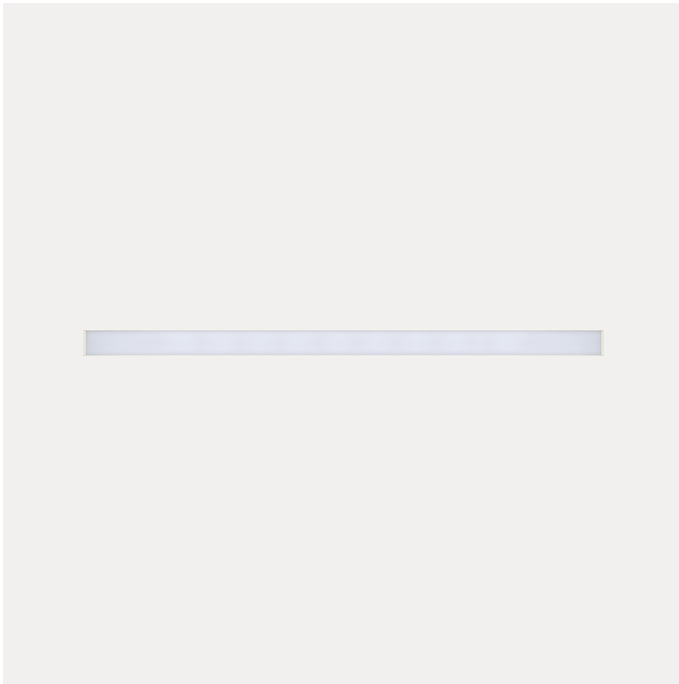
# FDV SPEC SHEET

Linear

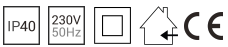
Art. no: 19041-01-2



Lighting Solutions



## Linear



Art. no: 19041-01-2

### LIGHT TECHNICAL

Lightsource Type:	LED (built in)
Lumen Output:	3230 (4000K)
Lumen LED (tc=25):	4300
Beam Angle:	110°
CCT (Color Temperature):	30/35/4000
CRI / Ra:	80
Color Code:	830/835/840
Lens (Diffuser):	Opal

### MOUNTING / CONNECTION

Connection:	Track 3-Circuit
Mounting:	Ceiling, Track

### ELECTRICAL DATA

Dimming:	None
System Power [W]:	36
System Voltage [V]:	230V 50Hz
Protection Class:	2
Max load pr circuit - B10:	16
Max load pr circuit - B16:	25
Max load pr circuit - C10:	18
Max load pr circuit - C16:	28
Leakage current [mA]:	0,25
Inrush current I <sub>max</sub> [A]:	60
Inrush current time [µs]:	3,5
Socket / Cap-Base:	N/A



## FDV SPEC SHEET

Linear

Art. no: 19041-01-2



*Lighting Solutions*

### PRODUCT

Ingress Protection:	IP40
Impact Protection:	IK08
Operating Temperature [°C]:	-
Color:	Black
Length [mm]:	1204
Height [mm]:	140
Width [mm]:	50
Weight [kg]:	3,5