



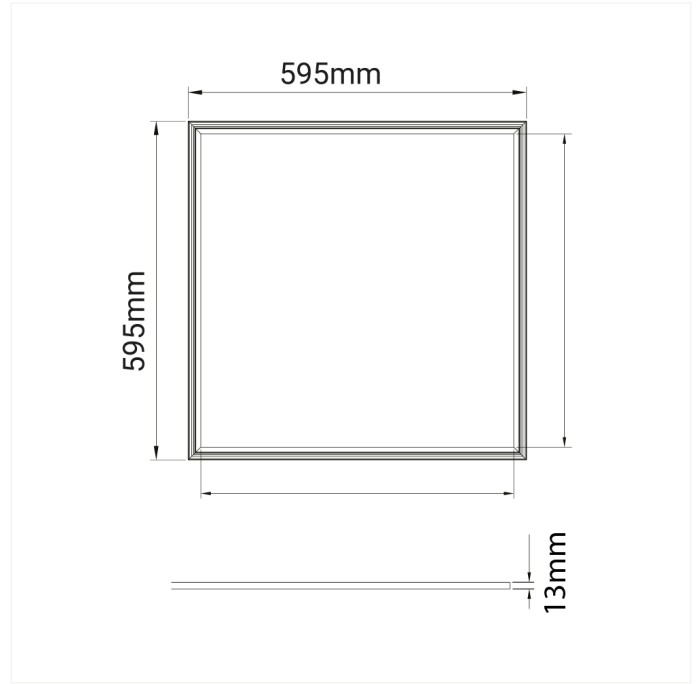
FDV SPEC SHEET

Panel

Art. no: 2272-3



Lighting Solutions



Panel



Art. no: 2272-3

LIGHT TECHNICAL

Lightsource Type:	LED (built in)
Lumen Output:	3138
Lumen LED (tc=25):	4800
CCT (Color Temperature):	4000
CRI / Ra:	90
Color Code:	940
Lens (Diffuser):	Opal

MOUNTING / CONNECTION

Connection:	IP65 Plug
Mounting:	Recessed, Ceiling

PRODUCT

Ingress Protection:	IP65
Impact Protection:	IK03
Operating Temperature [°C]:	-10 - 40
Color:	White
Length [mm]:	595
Height [mm]:	13
Width [mm]:	595

ELECTRICAL DATA

Dimming:	None
System Power [W]:	40
System Voltage [V]:	230V 50Hz
Protection Class:	1
Max load pr circuit - B10:	14
Max load pr circuit - B16:	24
Max load pr circuit - C10:	24
Max load pr circuit - C16:	40
Inrush current I _{max} [A]:	25
Inrush current time [µs]:	150