



PRODUCT SHEET

Seta Mini

Art. no: 30310-6-20-3

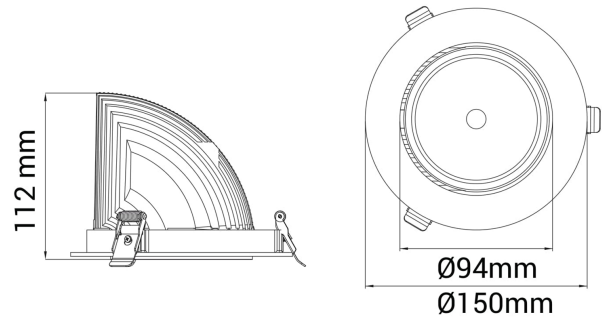


Lighting Solutions

Seta Mini

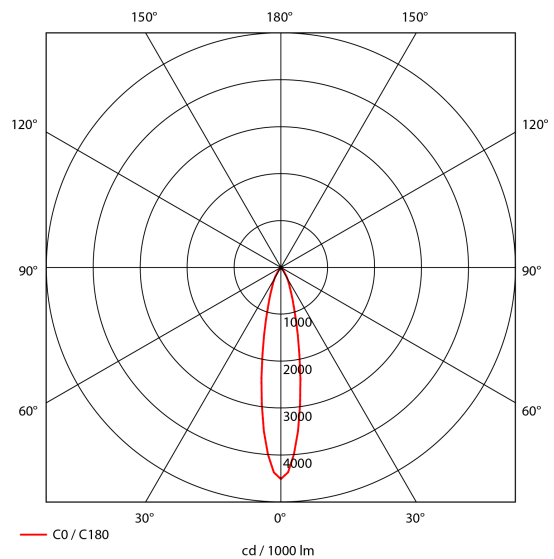


 140mm



SPECIFICATIONS

Lightsource Type:	LED (built in)
System Power [W]:	28W
CCT (Color Temperature):	2700K
CRI / Ra:	80
Lumen Output:	3458lm
Lumen LED (tc=25):	3850lm
Beam Angle:	20°
Lens (Diffuser):	Clear
Dimming:	None
System Voltage [V]:	230V 50Hz
Connection:	18i3 Quick connection
Mounting:	Ceiling, Recessed
Cut-out [mm]:	140mm
Lifetime [h]:	L80B10: 50.000h
Lumen/W:	124lm/W
UGR (<=):	17
MacAdam (SDCM):	3
Color:	White
Length [mm]:	150mm
Height [mm]:	112mm
Width [mm]:	150mm
Weight [kg]:	0,95kg
To be recessed in insulation:	Not applicable



Seta Mini is a small and very flexible LED downlight offering great number of adjustment possibilities. The Seta Mini is supplied with a cable connector type 18i3- and can be delivered with a variety of connector options. The downlight is available in three different colors and with a wide range of reflectors. Rotatable 350° and tiltable 70°.