



PRODUCT SHEET

Seta Mini

Art. no: 30318-6-30-2

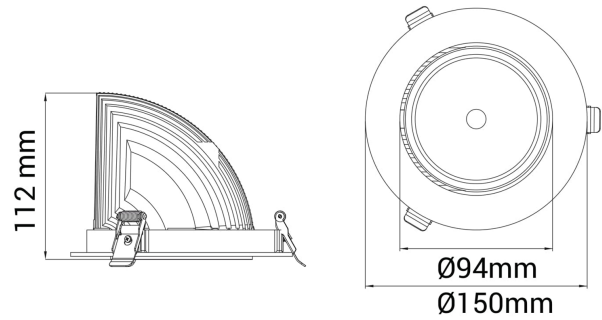


Lighting Solutions

Seta Mini

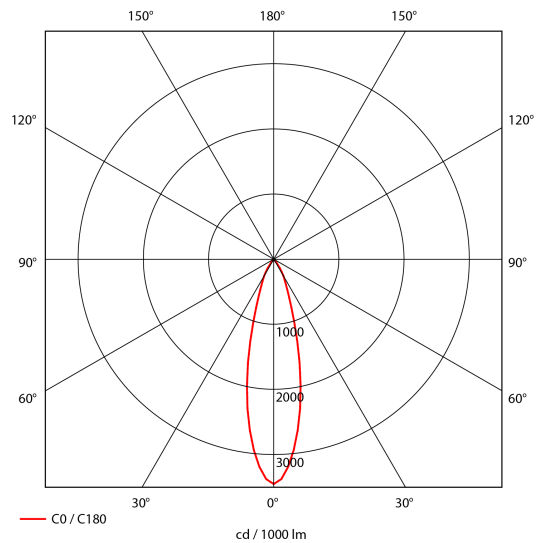


 140mm



SPECIFICATIONS

| | |
|-------------------------------|-----------------------|
| Lightsource Type: | LED (built in) |
| System Power [W]: | 28W |
| CCT (Color Temperature): | 3000K |
| CRI / Ra: | 80 |
| Lumen Output: | 3685lm |
| Lumen LED (tc=25): | 3950lm |
| Beam Angle: | 30° |
| Lens (Diffuser): | Clear |
| Dimming: | None |
| System Voltage [V]: | 230V 50Hz |
| Connection: | 18i3 Quick connection |
| Mounting: | Ceiling, Recessed |
| Cut-out [mm]: | 140mm |
| Lifetime [h]: | L80B10: 50.000h |
| Lumen/W: | 132lm/W |
| MacAdam (SDCM): | 3 |
| Color: | Black |
| Length [mm]: | 150mm |
| Height [mm]: | 112mm |
| Width [mm]: | 150mm |
| Weight [kg]: | 0,95kg |
| To be recessed in insulation: | Not applicable |



Seta Mini is a small and very flexible LED downlight offering great number of adjustment possibilities. The Seta Mini is supplied with a cable connector type 18i3- and can be delivered with a variety of connector options. The downlight is available in three different colors and with a wide range of reflectors. Rotatable 350° and tiltable 70°.