



FDV SPEC SHEET

Seta Mini

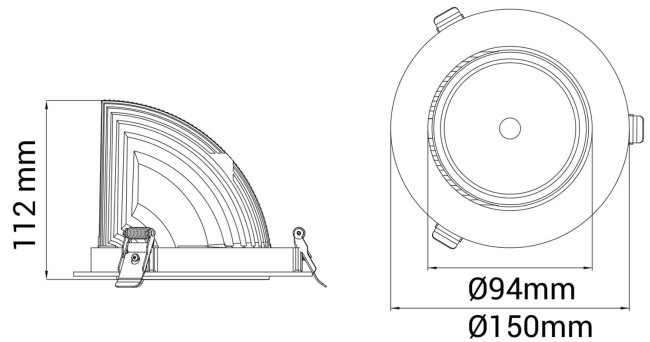
Art. no: 30318-7-20-1



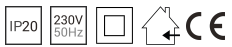
Lighting Solutions



140mm



Seta Mini



Art. no: 30318-7-20-1

LIGHT TECHNICAL

| | |
|--------------------------|----------------|
| Lightsource Type: | LED (built in) |
| Lumen Output: | 3780 |
| Lumen LED (tc=25): | 4200 |
| Beam Angle: | 20° |
| CCT (Color Temperature): | 3000 |
| CRI / Ra: | 80 |
| Color Code: | 830 |
| MacAdam (SDCM): | 3 |
| Lens (Diffuser): | Clear |

MOUNTING / CONNECTION

| | |
|---------------|-----------------------|
| Connection: | 18i3 Quick connection |
| Cut-out [mm]: | 140 |
| Mounting: | Ceiling, Recessed |

ELECTRICAL DATA

| | |
|--------------------------------------|-----------|
| Dimming: | None |
| System Power [W]: | 27 |
| System Voltage [V]: | 230V 50Hz |
| Protection Class: | 2 |
| Max load pr circuit - B10: | 14 |
| Max load pr circuit - B16: | 24 |
| Max load pr circuit - C10: | 24 |
| Max load pr circuit - C16: | 40 |
| Inrush current I _{max} [A]: | 25 |
| Inrush current time [µs]: | 150 |
| Socket / Cap-Base: | N/A |
| Current Output [mA]: | 700 |
| Voltage Forward Min [V]: | 29,6 |
| Voltage Forward Max [V]: | 39,5 |



FDV SPEC SHEET

Seta Mini

Art. no: 30318-7-20-1



Lighting Solutions

PRODUCT

| | |
|-------------------------------|----------------|
| To be recessed in insulation: | Not applicable |
| Ingress Protection: | IP20 |
| Operating Temperature [°C]: | - |
| Lifetime [h]: | L80B10: 50.000 |
| Color: | Grey |
| Length [mm]: | 150 |
| Height [mm]: | 112 |
| Width [mm]: | 150 |
| Weight [kg]: | 0,95 |