



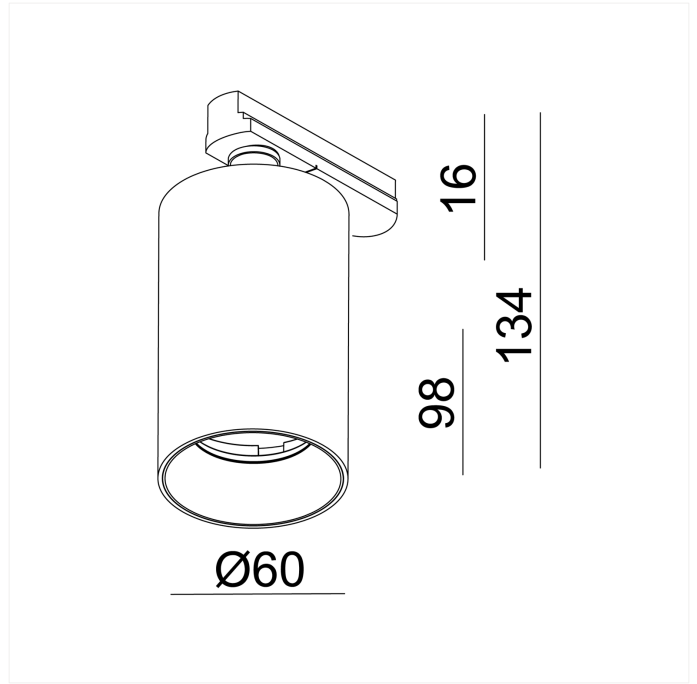
FDV SPEC SHEET

Tania Mini GU10

Art. no: 3556-3



Lighting Solutions



Tania Mini GU10



Art. no: 3556-3

LIGHT TECHNICAL

Lightsource Type:	Lightsource not included
Socket / Cap-Base:	GU10
Lens (Diffuser):	None

MOUNTING / CONNECTION

Connection:	Track 1-Circuit
Mounting:	Ceiling, Track

PRODUCT

Ingress Protection:	IP20
Operating Temperature [°C]:	-
Color:	White
Length [mm]:	90
Width [mm]:	60

ELECTRICAL DATA

Dimming:	Light bulb dependent
Max. Power [W]:	7,5
System Voltage [V]:	230V 50Hz
Protection Class:	1
Socket / Cap-Base:	GU10