



## PRODUCT SHEET

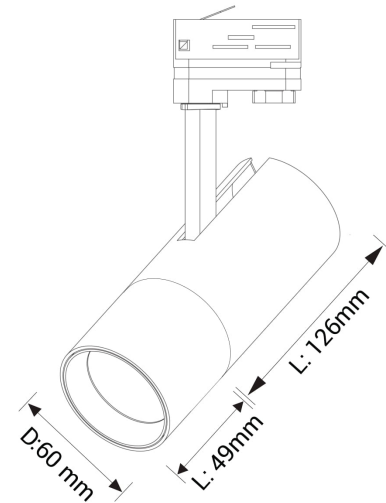
Cylinder 60

Art. no: 60127-38-3



*Lighting Solutions*

# Cylinder 60



The Cylinder 60 has the LED driver included in the lamp head and is available for use in 1-circuit and 3-circuit tracks, both models are available with a Dim to Warm option. It can be tilted 90 degrees and rotated 350 degrees on its own axis and comes with a variety of accessories.



### SPECIFICATIONS

|                          |                 |
|--------------------------|-----------------|
| Lightsource Type:        | LED (built in)  |
| System Power [W]:        | 14W             |
| CCT (Color Temperature): | 2700K           |
| CRI / Ra:                | 90              |
| Lumen LED (tc=25):       | 1450lm          |
| Beam Angle:              | 38°             |
| Lens (Diffuser):         | Clear           |
| Dimming:                 | Phase-Cut       |
| System Voltage [V]:      | 230V 50Hz       |
| Connection:              | Track 1-Circuit |
| Mounting:                | Track, Ceiling  |
| Lifetime [h]:            | L80B10: 60 000h |
| MacAdam (SDCM):          | 3               |
| Color:                   | White           |
| Height [mm]:             | 220mm           |
| Width [mm]:              | 60mm            |
| Weight [kg]:             | 0,6kg           |