



PRODUCT SHEET

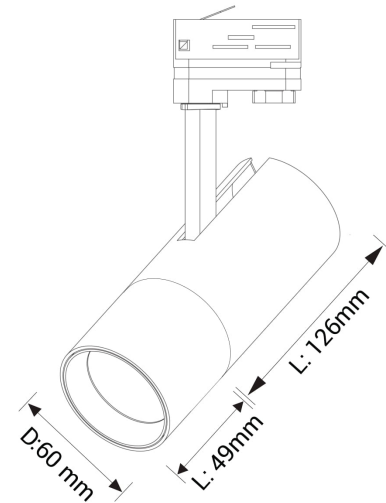
Cylinder 60

Art. no: 60127-7-25-2



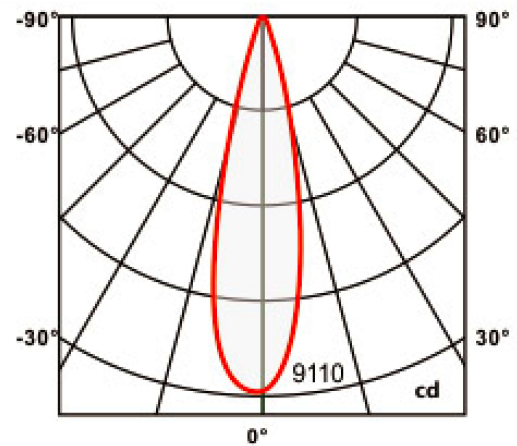
Lighting Solutions

Cylinder 60



SPECIFICATIONS

| | |
|--------------------------|-----------------|
| Lightsource Type: | LED (built in) |
| System Power [W]: | 14W |
| CCT (Color Temperature): | 2700K |
| CRI / Ra: | 90 |
| Lumen LED (tc=25): | 1550lm |
| Beam Angle: | 25° |
| Lens (Diffuser): | Clear |
| Dimming: | Phase-Cut |
| System Voltage [V]: | 230V 50Hz |
| Connection: | Track 1-Circuit |
| Mounting: | Ceiling, Track |
| Lifetime [h]: | L80B10: 60 000h |
| Color: | Black |
| Height [mm]: | 220mm |
| Width [mm]: | 60mm |
| Weight [kg]: | 0,6kg |



The Cylinder 60 has the LED driver included in the lamp head and is available for use in 1-circuit and 3-circuit tracks, both models are available with a Dim to Warm option. It can be tilted 90 degrees and rotated 350 degrees on its own axis and comes with a variety of accessories.