



PRODUCT SHEET

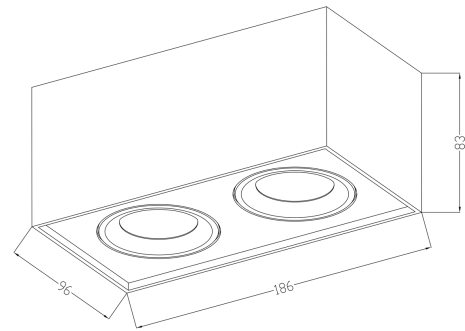
Cobra 360° Rotatable Surface Double

Art. no: 6927-38-2



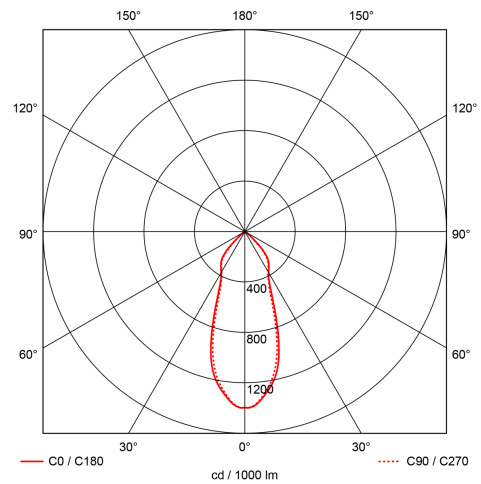
Lighting Solutions

Cobra 360° Rotatable Surface Double



SPECIFICATIONS

System Power [W]:	2x8W
CCT (Color Temperature):	2700K
CRI / Ra:	90
Lumen Output:	1180lm
Lumen LED (tc=25):	1300lm
Beam Angle:	38°
Lens (Diffuser):	Clear
Dimming:	Phase-Cut
System Voltage [V]:	230V 50Hz
Connection:	QuickConnect
Mounting:	Ceiling, Surface
Lumen/W:	86lm/W
MacAdam (SDCM):	3
Color:	Black
Length [mm]:	186mm
Height [mm]:	83mm
Width [mm]:	100mm
Weight [kg]:	1,2kg
To be recessed in insulation:	Not applicable



Cobra 360° Rotatable Surface is a flexible surface mounted downlight developed from our vast experience with earlier models. The 360° rotatable fixed light head makes it possible to tilt the light beam up to 25 degrees in all directions.