

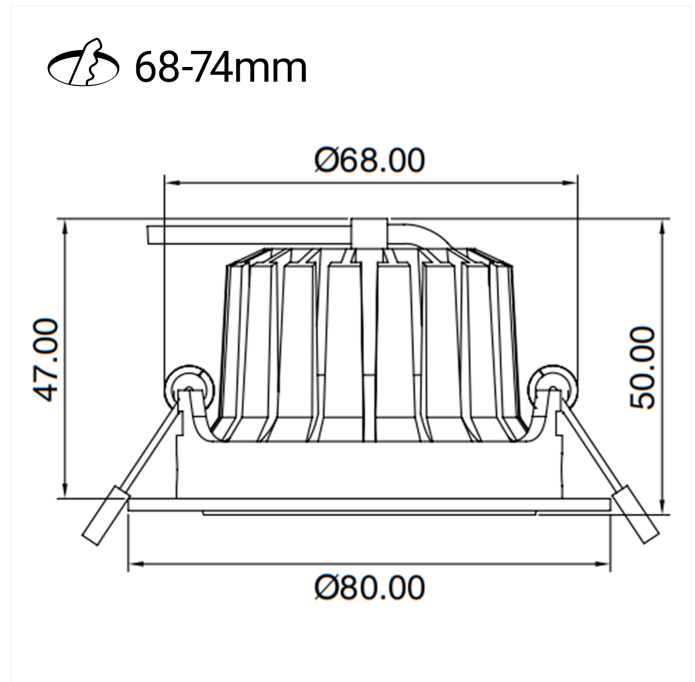


## FDV SPEC SHEET

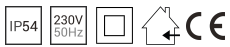
Manto Adjustable 550lm 927 36° 8W WH Phasecut IP54  
Art. no: 7050-36-3



Lighting Solutions



# Manto Adjustable 550lm 927 36° 8W WH Phasecut IP5



Art. no: 7050-36-3

### LIGHT TECHNICAL

Lumen Output:	550
Beam Angle:	36°
CCT (Color Temperature):	2700
CRI / Ra:	90
Color Code:	927
MacAdam (SDCM):	3
Lens (Diffuser):	Clear

### MOUNTING / CONNECTION

Connection:	QuickConnect
Cut-out [mm]:	Ø68-Ø74
Mounting:	Recessed, Ceiling

### ELECTRICAL DATA

Dimming:	Phase-Cut
System Power [W]:	8
System Voltage [V]:	230V 50Hz
Protection Class:	2
Max load pr circuit - B10:	83
Max load pr circuit - B16:	133
Max load pr circuit - C10:	139
Max load pr circuit - C16:	222
Socket / Cap-Base:	N/A
Current Output [mA]:	170
Voltage Forward Min [V]:	33
Voltage Forward Max [V]:	38



## FDV SPEC SHEET

Manto Adjustable 550lm 927 36° 8W WH Phasecut IP54  
Art. no: 7050-36-3



PRODUCT	
To be recessed in insulation:	No
Ingress Protection:	IP54
Operating Temperature [°C]:	-20 - 45
Lifetime [h]:	L80B50: 50 000
Color:	White
RAL:	RAL9016
Height [mm]:	50
Width [mm]:	80
Weight [kg]:	0,27