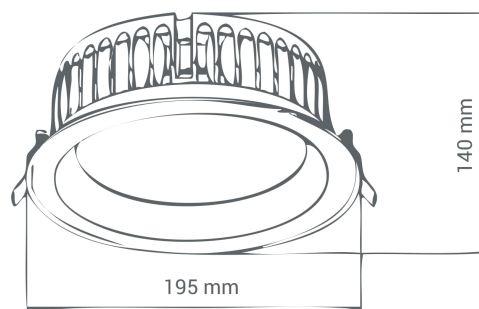
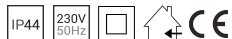


Auriga



PRODUCT NO.:

737-40-2



LIGHT TECHNICAL

Lightsource Type:	LED (built in)
Lumen Output:	2700
Lumen LED (tc=25):	2700
Beam Angle:	40°
CCT (Color Temperature):	3000
CRI / Ra:	80
Color Code:	830
Lens (Diffuser):	Clear

MOUNTING / CONNECTION

Cut-out [mm]:	176
Mounting:	Recessed

PRODUCT

To be recessed in insulation:	No
Ingress Protection:	IP44
Impact Protection:	IK05
Lifetime [h]:	L80B10: 75 000
Color:	Black
Height [mm]:	140
Width [mm]:	195

ELECTRICAL DATA

Dimming:	None
System Power [W]:	31
System Voltage [V]:	230V 50Hz
Protection Class:	2
Max load pr circuit - B10:	27
Max load pr circuit - B16:	44
Max load pr circuit - C10:	45
Max load pr circuit - C16:	74
Inrush current I _{max} [A]:	7
Inrush current time [μs]:	25
Socket / Cap-Base:	N/A
Current Output [mA]:	700