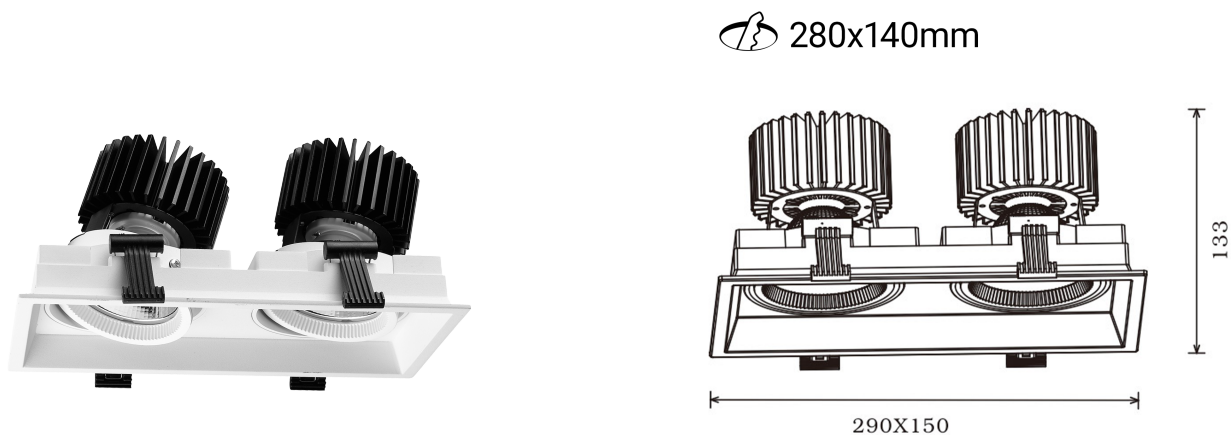


# Quadro Double



**PRODUCT NO.:** 75102-1540-3



**LIGHT TECHNICAL**

Lumen LED (tc=25):	7700
Beam Angle:	15°&40°
CRI / Ra:	95
MacAdam (SDCM):	3
Lens (Diffuser):	Clear

**MOUNTING / CONNECTION**

Connection:	18i3 Quick connection
Cut-out [mm]:	280x140
Mounting:	Ceiling

**PRODUCT**

To be recessed in insulation:	No
Ingress Protection:	IP20
Lifetime [h]:	L80B10: 50.000
Color:	White
Length [mm]:	290
Height [mm]:	133
Width [mm]:	150
Weight [kg]:	2

**ELECTRICAL DATA**

Dimming:	None
System Power [W]:	2x37W
System Voltage [V]:	230V 50Hz
Protection Class:	2
Max load pr circuit - B10:	14
Max load pr circuit - B16:	24
Max load pr circuit - C10:	24
Max load pr circuit - C16:	40
Inrush current I <sub>max</sub> [A]:	25
Inrush current time [µs]:	150
Socket / Cap-Base:	N/A
Current Output [mA]:	900
Voltage Forward Min [V]:	30,2
Voltage Forward Max [V]:	41,7