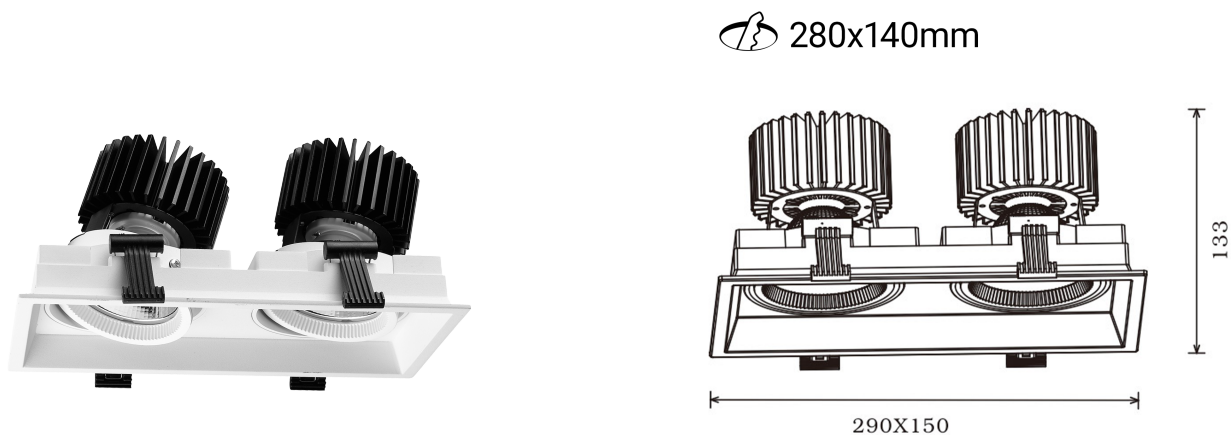
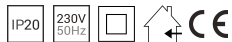


Quadro Double



PRODUCT NO.:

75102-40-3



LIGHT TECHNICAL

Lumen LED (tc=25):	7770
Beam Angle:	40°
CRI / Ra:	95
MacAdam (SDCM):	3
Lens (Diffuser):	Clear

MOUNTING / CONNECTION

Connection:	18i3 Quick connection
Cut-out [mm]:	280x140
Mounting:	Ceiling

PRODUCT

To be recessed in insulation:	No
Ingress Protection:	IP20
Lifetime [h]:	L80B10: 50.000
Color:	White
Length [mm]:	290
Height [mm]:	133
Width [mm]:	150
Weight [kg]:	2

ELECTRICAL DATA

Dimming:	None
System Power [W]:	2x37W
System Voltage [V]:	230V 50Hz
Protection Class:	2
Max load pr circuit - B10:	14
Max load pr circuit - B16:	24
Max load pr circuit - C10:	24
Max load pr circuit - C16:	40
Inrush current I _{max} [A]:	25
Inrush current time [μs]:	150
Socket / Cap-Base:	N/A
Current Output [mA]:	900
Voltage Forward Min [V]:	30,2
Voltage Forward Max [V]:	41,7