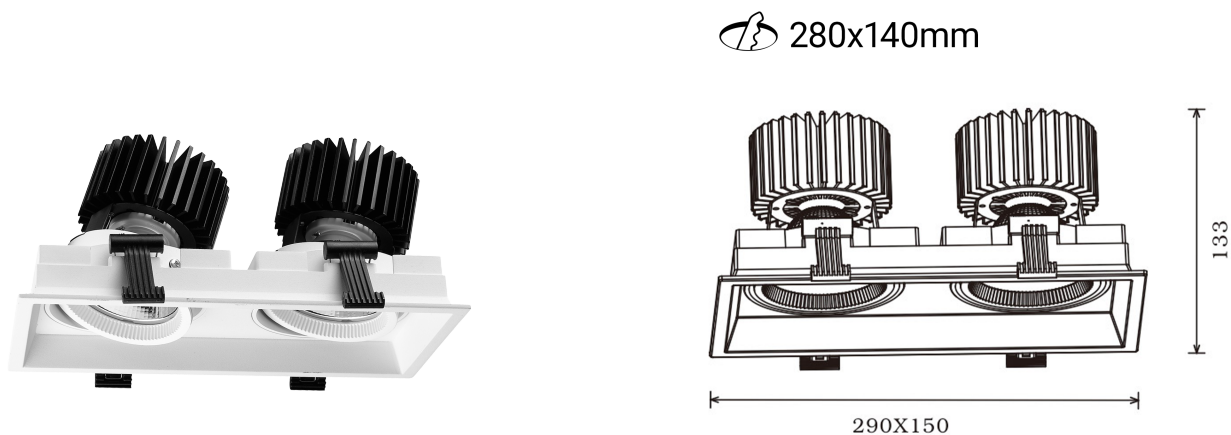
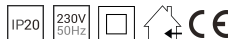


# Quadro Double



**PRODUCT NO.:**

75202-30-3



**LIGHT TECHNICAL**

|                          |       |
|--------------------------|-------|
| Lumen LED (tc=25):       | 8000  |
| Beam Angle:              | 30°   |
| CCT (Color Temperature): | 4000  |
| CRI / Ra:                | 90    |
| Color Code:              | 940   |
| MacAdam (SDCM):          | 3     |
| Lens (Diffuser):         | Clear |

**MOUNTING / CONNECTION**

|               |                       |
|---------------|-----------------------|
| Connection:   | 18i3 Quick connection |
| Cut-out [mm]: | 280x140               |
| Mounting:     | Ceiling               |

**PRODUCT**

|                               |                |
|-------------------------------|----------------|
| To be recessed in insulation: | No             |
| Ingress Protection:           | IP20           |
| Lifetime [h]:                 | L80B10: 50.000 |
| Color:                        | White          |
| Length [mm]:                  | 290            |
| Height [mm]:                  | 133            |
| Width [mm]:                   | 150            |
| Weight [kg]:                  | 2              |

**ELECTRICAL DATA**

|                                      |           |
|--------------------------------------|-----------|
| Dimming:                             | None      |
| System Power [W]:                    | 2x33      |
| System Voltage [V]:                  | 230V 50Hz |
| Protection Class:                    | 2         |
| Max load pr circuit - B10:           | 14        |
| Max load pr circuit - B16:           | 24        |
| Max load pr circuit - C10:           | 24        |
| Max load pr circuit - C16:           | 40        |
| Inrush current I <sub>max</sub> [A]: | 25        |
| Inrush current time [μs]:            | 150       |
| Socket / Cap-Base:                   | N/A       |
| Current Output [mA]:                 | 800       |
| Voltage Forward Min [V]:             | 30,2      |
| Voltage Forward Max [V]:             | 41,7      |