



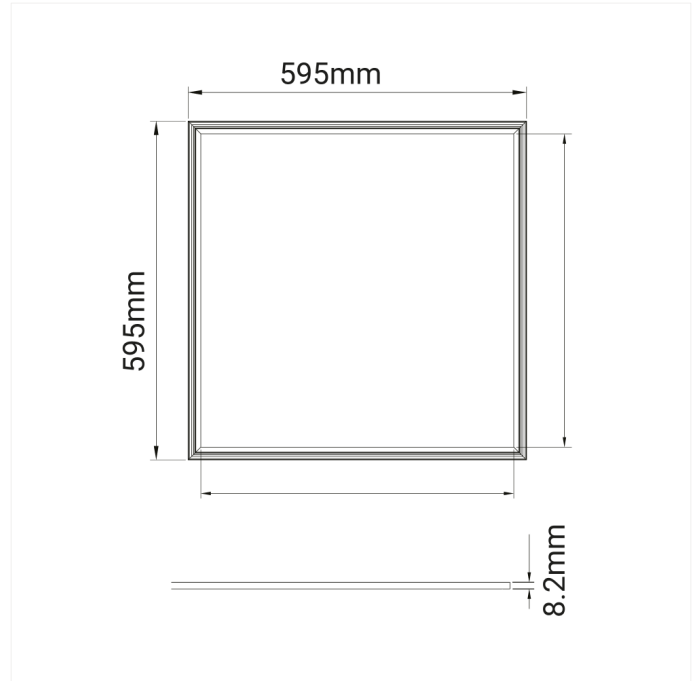
FDV SPEC SHEET

Panel

Art. no: 0370-02-3



Lighting Solutions



Panel



Art. no: 0370-02-3

LIGHT TECHNICAL

Lightsource Type:	LED (built in)
Lumen Output:	4186/4953
Lumen LED (tc=25):	4600/5300
Beam Angle:	110°
CCT (Color Temperature):	3000-4000K
CRI / Ra:	80
Color Code:	830/840
Lens (Diffuser):	Micropris.

MOUNTING / CONNECTION

Connection:	18i3 Quick connection
Mounting:	Recessed, Suspended

ELECTRICAL DATA

Dimming:	Remote, Sensor (PIR)
System Power [W]:	41
System Voltage [V]:	230V 50Hz
Protection Class:	1
Max load pr circuit - B10:	34
Max load pr circuit - B16:	55
Max load pr circuit - C10:	34
Max load pr circuit - C16:	55
Leakage current [mA]:	0,7
Inrush current I _{max} [A]:	3,3
Inrush current time [µs]:	162
Current Output [mA]:	1050



FDV SPEC SHEET

Panel

Art. no: 0370-02-3



Lighting Solutions

PRODUCT

Ingress Protection:	IP40
Impact Protection:	IK05
Operating Temperature [°C]:	-
Color:	White
Length [mm]:	595
Height [mm]:	8,2
Width [mm]:	595