



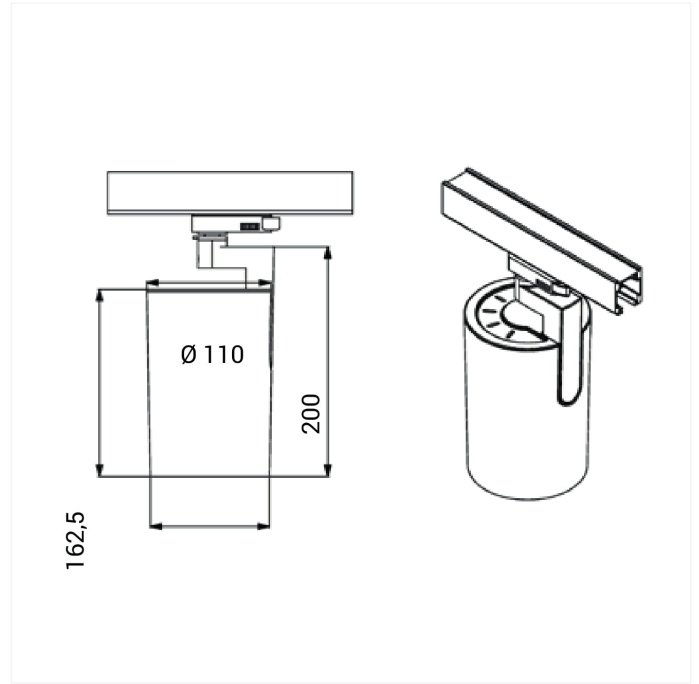
FDV SPEC SHEET

Ray Mini

Art. no: 18156-5-20-3



Lighting Solutions



Ray Mini



Art. no: 18156-5-20-3

LIGHT TECHNICAL

Lightsource Type:	LED (built in)
Lumen LED (tc=25):	2155
Beam Angle:	20°
CCT (Color Temperature):	Arctic White
CRI / Ra:	95
Color Code:	Arctic White
Lens (Diffuser):	Clear

MOUNTING / CONNECTION

Connection:	Track 3-Circuit
Mounting:	Track, Ceiling

PRODUCT

Ingress Protection:	IP20
Color:	White
Height [mm]:	200
Width [mm]:	110

ELECTRICAL DATA

Dimming:	None
System Power [W]:	23
System Voltage [V]:	230V 50Hz
Protection Class:	1
Socket / Cap-Base:	N/A
Current Output [mA]:	600