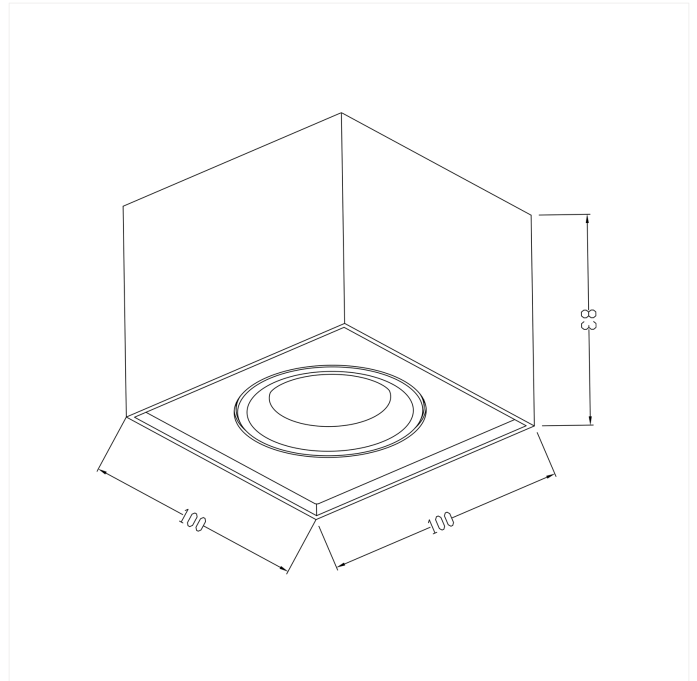
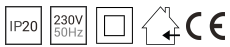




FDV SPEC SHEET
Cobra 360° Rotatable Surface
Art. no: 6827-D2W-38-2



Cobra 360° Rotatable Surface



Art. no: 6827-D2W-38-2

LIGHT TECHNICAL	
Lumen Output:	470
Lumen LED (tc=25):	550
Beam Angle:	38°
CCT (Color Temperature):	3000-2000K D2W
CRI / Ra:	90
Color Code:	930-920
MacAdam (SDCM):	3
Lens (Diffuser):	Clear
MOUNTING / CONNECTION	
Connection:	QuickConnect
Mounting:	Surface, Ceiling

ELECTRICAL DATA	
Dimming:	Phase-Cut
System Power [W]:	8
System Voltage [V]:	230V 50Hz
Protection Class:	2
Max load pr circuit - B10:	35
Max load pr circuit - B16:	56
Max load pr circuit - C10:	74
Max load pr circuit - C16:	118
Inrush current I _{max} [A]:	5
Inrush current time [μs]:	300
Socket / Cap-Base:	N/A



FDV SPEC SHEET

Cobra 360° Rotatable Surface

Art. no: 6827-D2W-38-2



Lighting Solutions

PRODUCT

To be recessed in insulation:	Not applicable
Ingress Protection:	IP20
Lifetime [h]:	50 000
Color:	Black
Length [mm]:	100
Height [mm]:	83
Width [mm]:	79
Weight [kg]:	0,6