



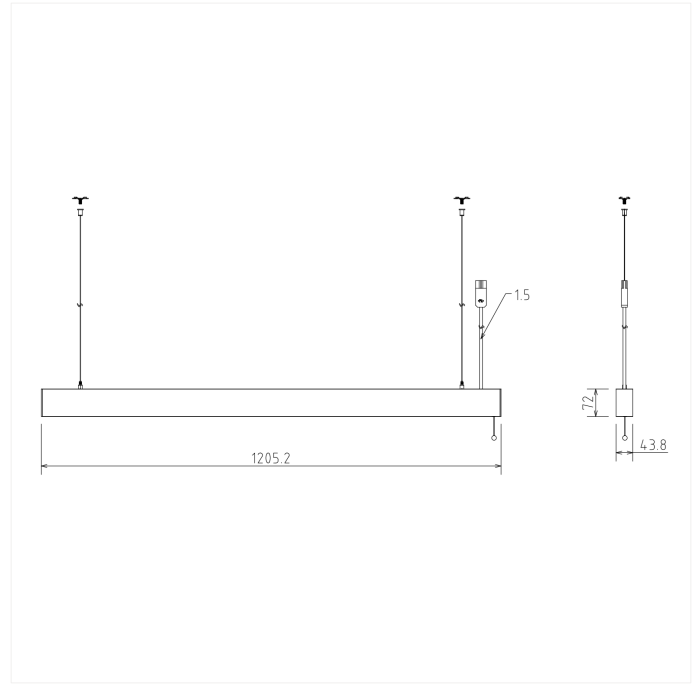
FDV SPEC SHEET

Benu Office Pullswitch

Art. no: 3731-110-3



Lighting Solutions



Benu Office Pullswitch



Art. no: 3731-110-3

LIGHT TECHNICAL

Lightsource Type:	LED (built in)
Lumen Output:	7097
Lumen LED (tc=25):	7700
Beam Angle:	110° / 75°
Lens (Diffuser):	Micropris.

MOUNTING / CONNECTION

Connection:	18i3 Quick connection
Mounting:	Suspended, Ceiling, Pendant

PRODUCT

Ingress Protection:	IP20
Impact Protection:	IK02
Operating Temperature [°C]:	0 - 45
Lifetime [h]:	L80B10: 50.000
Color:	Black
Length [mm]:	1205
Height [mm]:	76
Width [mm]:	43,8
Weight [kg]:	2,5

ELECTRICAL DATA

Dimming:	Pull Dim
Flickerfree:	Yes
System Power [W]:	50
System Voltage [V]:	230V 50Hz
Protection Class:	1
Max load pr circuit - B10:	28
Max load pr circuit - B16:	45
Max load pr circuit - C10:	28
Max load pr circuit - C16:	45
Leakage current [mA]:	0,7
Inrush current I _{max} [A]:	4,75
Inrush current time [µs]:	162
Socket / Cap-Base:	N/A
Current Output [mA]:	1250