



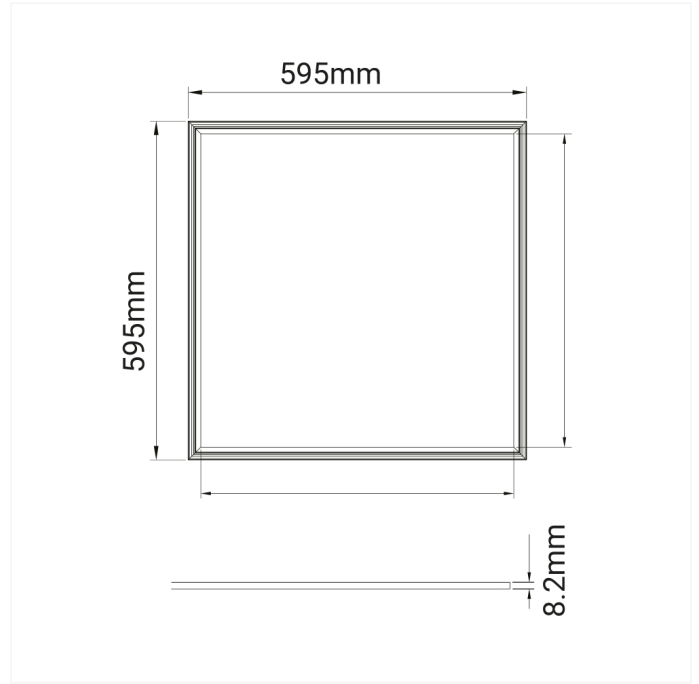
FDV SPEC SHEET

Panel

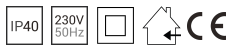
Art. no: 0330-3-02-3



Lighting Solutions



Panel



Art. no: 0330-3-02-3

LIGHT TECHNICAL	
Lightsource Type:	LED (built in)
Lumen Output:	3600
Lumen LED (tc=25):	4500
Beam Angle:	110°
CCT (Color Temperature):	3000
CRI / Ra:	80
Color Code:	830
MacAdam (SDCM):	3
Lens (Diffuser):	Micropris.
UGR (<=):	19

MOUNTING / CONNECTION	
Connection:	EPN0024
Mounting:	Recessed, Ceiling

ELECTRICAL DATA	
Dimming:	Depending on Driver
System Power [W]:	36
System Voltage [V]:	230V 50Hz
Protection Class:	2
Max load pr circuit - B10:	14
Max load pr circuit - B16:	24
Max load pr circuit - C10:	24
Max load pr circuit - C16:	40
Inrush current I _{max} [A]:	25
Inrush current time [μs]:	150
Current Output [mA]:	900



FDV SPEC SHEET

Panel

Art. no: 0330-3-02-3



Lighting Solutions

PRODUCT

Ingress Protection:	IP40
Impact Protection:	IK05
Operating Temperature [°C]:	-10 - 40
Lifetime [h]:	L80B50: 100 000
Color:	White
Length [mm]:	595
Height [mm]:	8,2
Width [mm]:	595
Weight [kg]:	2,97