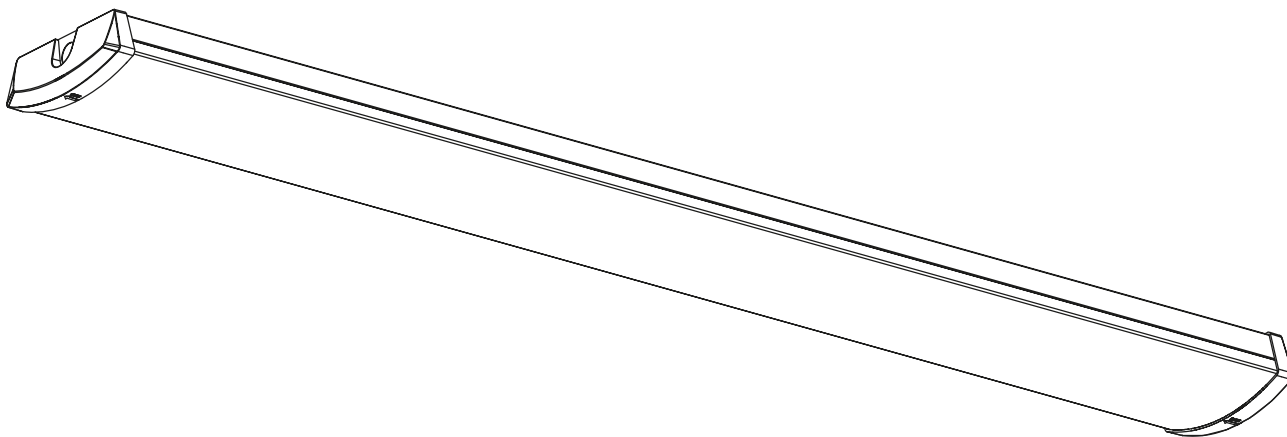


ART. NO.

8070-MW-105-3

8071-MW-105-3

8076-MW-105-3

NORLUX®*Lighting Solutions*

Universal IP44 Sensor

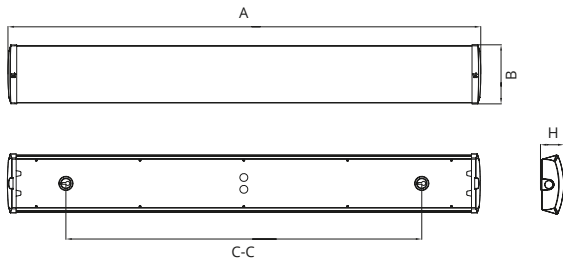
INSTALLATION MANUAL

**⚠ Safety Notes:**

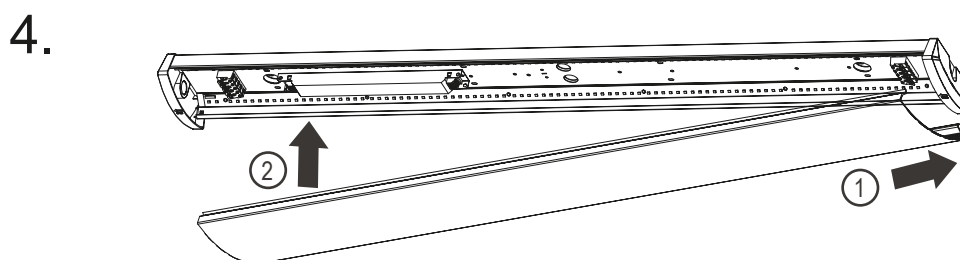
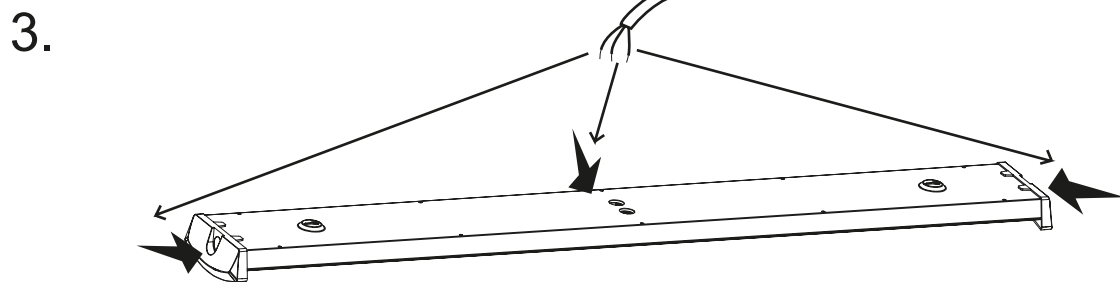
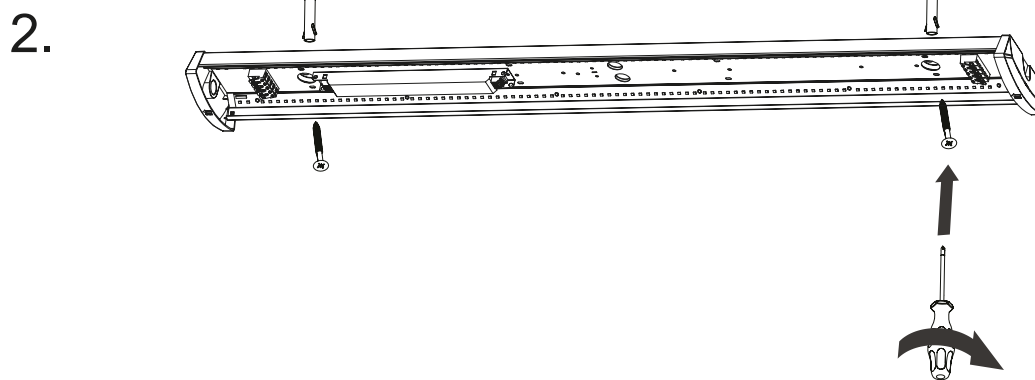
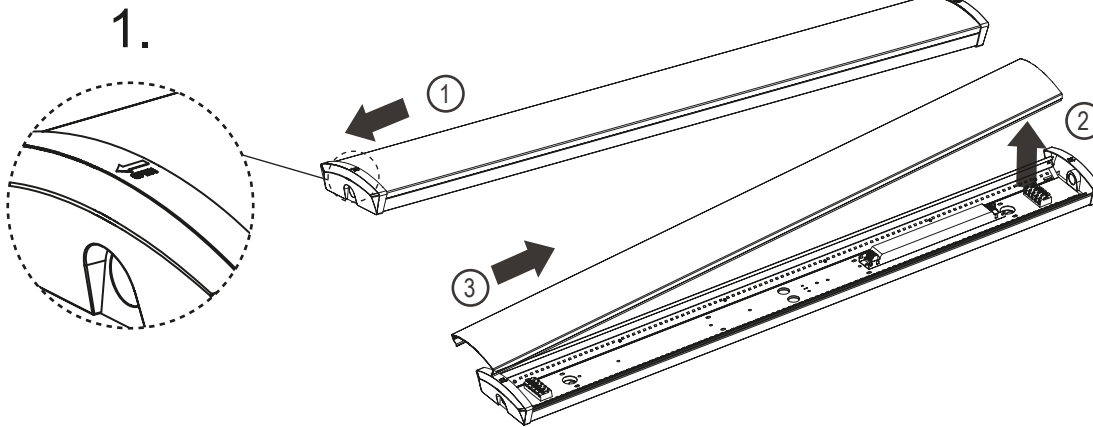
- The product must be installed, maintained, and operated as instructions below.
- Before starting installation of this product, make sure power supply is disconnected.
- Only to be installed by authorized electrician.
- Do not use abrasives or solvents when cleaning.
- Do not install the product if it appears damaged in any way. Check with manufacturer if in doubt.
- Do not modify this fitting in any matter as this will void warranty.
- Check protection class, if class I, it must be earthed.
- Disconnect power supply before maintenance or cleaning.

⚠ Sikkerhetsinformasjon:

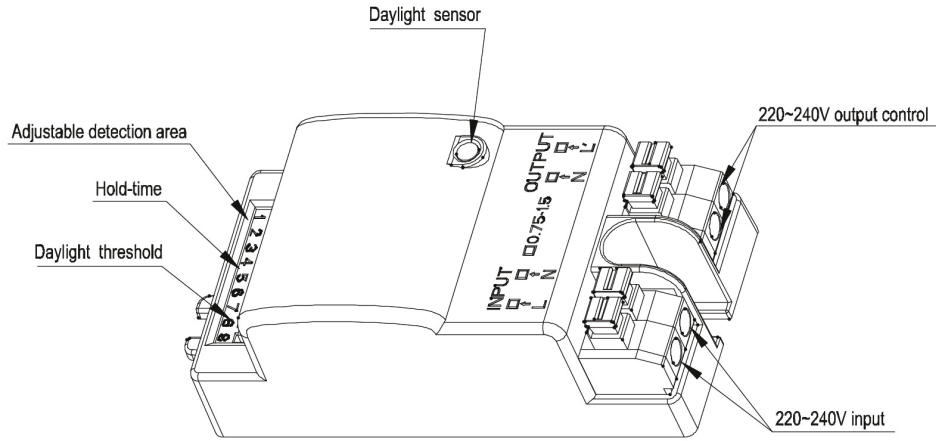
- Følg installasjonsmanual for korrekt montering.
- Koble alltid fra strømmen før montering eller vedlikehold.
- Kan kun monteres av autorisert elektriker.
- Monter ikke produktet hvis det er synlig skade. Kontakt forhandler eller produsent.
- Bruk ikke løsemidler ved rengjøring
- Produktet skal ikke under noen omstendigheter endres eller modifiseres.
- Sjekk produktets isolasjonsklasse. Ved isolasjonsklasse I skal produktet jordes.



Dimensions AxBxH (mm)	C-C (mm)
1200x150x59	900
1500x150x59	1200



Structure



DIP Switch Setting

Detection Area (Sensitivity)

	1	2	3	
I	ON	ON	ON	100%
II	-	ON	ON	75%
III	ON	-	ON	50%
IV	-	-	ON	25%
V	-	-	-	10%

Hold Time

	4	5	6	
I	ON	ON	ON	5S
II	-	ON	ON	30S
III	ON	-	ON	90S
IV	-	-	ON	3min
V	ON	ON	-	20min
VI	-	-	-	30min

Daylight Threshold

	6	7	8	
I	ON	ON	ON	2Lux
II	ON	ON	-	10Lux
III	-	ON	-	25Lux
IV	ON	-	-	50Lux
V	-	-	-	Disable*

*Disable means the daylight sensor does not work. The sensor will turn on light once motion is detected regardless of ambient light level.

1. Features



- Compact size design, can be built-in most of light fixtures.
- Sensor parameters can be easily adjustable by DIP switches.
- Terminal design for both in and off connection, easy to be connected.

2. Parameter

Input	Operating Voltage Range	198-264V AC, 50Hz/60Hz
	DC Input Voltage	N/A
	Rated Voltage	220-240V AC, 50Hz/60Hz
	No-load Power	N/A
	Stand-by Power	≤0.5W
	Surge Test	L--N: 1kV
Output	Working Mode	ON/OFF function
	Type of Load	Inductive or Resistive Load
	Load Capacity	400W(Inductive) ; 800W(Resistive)
	Current of Load	N/A
	Max. Surge Capacity	30A (50% Ipeak, twidth =500uS, 230Vac full load, cold start); 60A (50% Ipeak, twidth =200uS, 230Vac, full load, cold start)
Dim Interface	1-10V Dimming	N/A
	Synchronous Control	N/A
	High Low-level	N/A
	PWM Control	N/A
Sensor Parameters	Operating Frequency	5.8 GHz ±75 MHz, ISM Band.
	Transmitting power	1mW Max.
	Hold time	5S/30S/90S/3min/20min/30min(set via 3 DIP switch)
	Stand-by DIM Level	N/A
	Stand-by Period	N/A
	Detection Area	100%/75%/50%/25%/10%(set via 3 DIP switch)
	Daylight Sensor	2lux/10lux/25lux/50lux/Disable (set via 3 DIP switch) (Ambient diffusion status)
	Daylight on/off	N/A
	Detecting Radius	4-6m (mounting height 3m)
	Mounting Height	6m Max

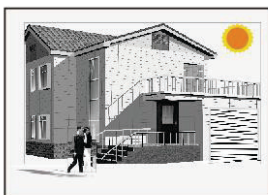
	Detecting Angle	150°
Wireless Module	Operating Frequency	N/A
	Transmitting power	N/A
	Transmitting distance	N/A
	Modulation mode	N/A
	Number of coding	N/A
Operating Environment	Operating Temperature	-20°C...+60°C
	Storage Temperature	-40°C...+80°C Humidity: 10%-95% (Non-condensing)
Certificate Standards	Safety standards	EN61058-1, EN61058-1-2
	EMC standards	EN300440, EN301489-1, EN55015, EN61547, EN61000-3-2 EN61000-3-3, EN62479
	Environmental Requirement	Compliant to RoHS
	Certificate	CE, TUV, RED
Others	Wiring	Press-in Type Terminals, wire diameter:0.75-1.5mm ²
	IP Rating	IP20
	Protection Class	Class II
	Installation	Built-in
	Dimension	77*36*25.6mm
	Package	Bubble bag+Clapboard + Carton(K=A)
	Net Weight	41.0g
	Lifetime	50,000h @ Ta Full load

Note

1. "N/A" means not available.
2. Detection area is effected on volume of motion object and motion speed. The detection area is tested by a 165cm height person and walking speed is 0.5m/s.

2. Function

On/OFF Function



- 1 With sufficient ambient light, the light will not be switched on even if with motion signal.



- 2 With insufficient ambient light, the sensor switches on the light when motion is detected.

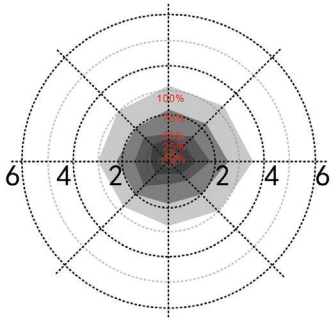


- 3 After elapse of hold time, the sensor switches off the light when no motion is detected.

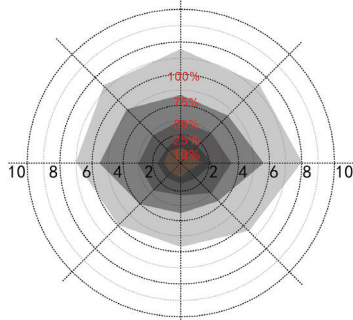
7. Radiation Pattern

Ceiling mounting

Ceiling mounted height: 3m
Sensitivity: 100%/75%/50%/25%/10%

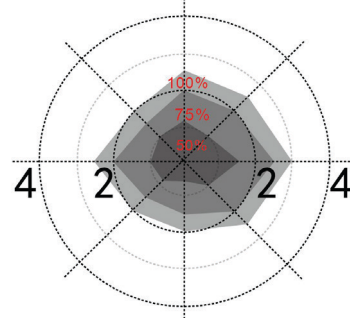


Normal moving (Speed:1m/s)

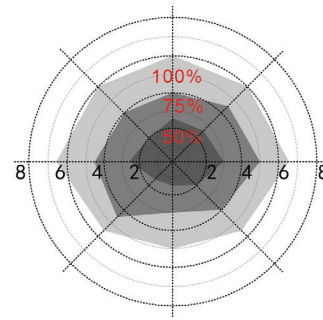


Slow moving (Speed 0.3m/s)

Ceiling mounted height: 6m(*)
Sensitivity:100%/75%/50%



Normal moving (Speed:1m/s)

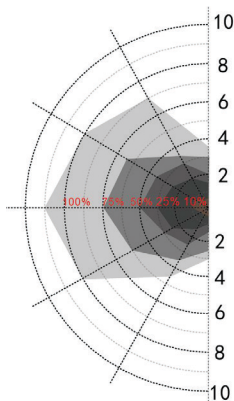


Slow moving (Speed: 0.3m/s)

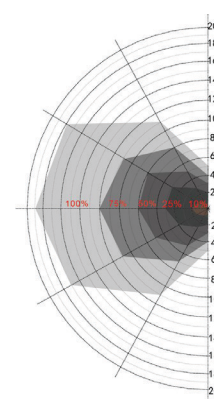
*50%,75%,100% detection sensitivity is workable when installed at 6m mounting height. Only 10%,25% sensitivity is not able to detect motion signal.

Wall mounting:

Wall mounted height: 2m
Sensitivity: 100%/75%/50%/25%/10%



Normal moving (Speed: 1m/s)



Slow moving (Speed 0.3m/s)