

The logo for NORLUX, featuring the brand name in a bold, white, sans-serif font enclosed within a white rounded rectangular border.

**NORLUX®**

*Lighting Solutions*

A black track lighting system with a spotlight fixture. The background features a dark green dotted pattern that curves across the frame. The spotlight fixture is the central focus, pointing downwards and to the left.

# EVO 48V TRACK SYSTEM

FOR SUBTLE AND FLEXIBLE LIGHTING



## Flare 26

A perfect spotlight for housing, stores, restaurants, hotels and office environments. With a diameter of only 26 mm, the Flare 26 is small but effectful.

- For Evo 48V track system
- 2 W LED
- 90° tilt and 350° rotation

Art. nr. 101470-23-2-ddd



## Flare 26

A perfect spotlight for housing, stores, restaurants, hotels and office environments. With a diameter of only 26 mm, the Flare 26 is small but effectful.

- For Evo 48V track system
- 2 W LED
- 90° tilt and 350° rotation

Art. nr. 101470-23-3-ddd



## Flare 40

A perfect spotlight for housing, stores, restaurants, hotels and office environments. 40 mm diameter. Available in both 2700 and 3000 Kelvin.

- For Evo 48V track system
- 6.6 W LED
- 90° tilt and 350° rotation

Art. nr. 101475-35-2-ddd

Art. nr. 101476-35-2-ddd



## Flare 40

A perfect spotlight for housing, stores, restaurants, hotels and office environments. 40 mm diameter. Available in both 2700 and 3000 Kelvin.

- For Evo 48V track system
- 6.6 W LED
- 90° tilt and 350° rotation

Art. nr. 101475-35-3-ddd

Art. nr. 101476-35-3-ddd



## Flare Pendant 40

With its sleek design and high lumen output, the Flare Pendant 40 is a perfect fit for cabins, hotels, housing and restaurants.

- For Evo 48V track system
- 6.6 W LED
- Beam angle 36°

Art. nr. 101490-36-2-ddd



## Flare Ambient

With its 13W and high lumen output this is a perfect fit for cabins, hotels, housing and restaurants.

- For Evo 48V track system
- 13 W LED
- Beam angle 115°

Art. nr. 101480-115-2-ddd

## Flare CM5

With its modest appearance yet high lumen output, the Flare CM5 is a perfect fit for cabins, hotels, housing and restaurants.

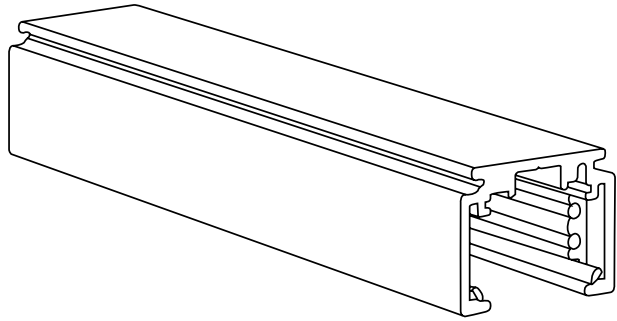
- For Evo 48V track system
- 5 diodes - 10 W
- Recessed light sources - low glare

Art. nr. 101485-34-2-ddd



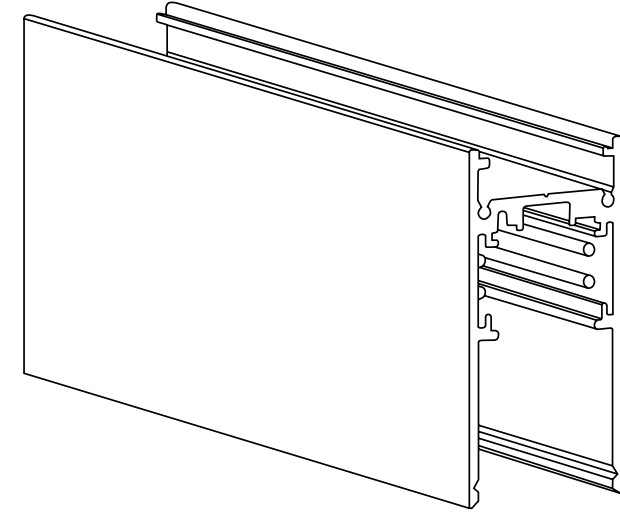
# EVO 48V

## TRACKS



### ST1 - Track

Artikel nr	Description	Length MM	Color	PCS/Package
9500-ST1E-1-2*	Track Evo 48V ST1 3m BK DALI	100	Black	1/150
9500-ST1E-1-3*	Track Evo 48V ST1 3m WHDALI	100	White	1/150
9500-ST1E-2-2	Track Evo 48V ST1 2m BK DALI	200	Black	1/150
9500-ST1E-2-3	Track Evo 48V ST1 2m WH DALI	200	White	1/150
9500-ST1E-3-2*	Track Evo 48V ST1 3m BK DALI	300	Black	1/150
9500-ST1E-3-3*	Track Evo 48V ST1 3m WH DALI	300	White	1/150

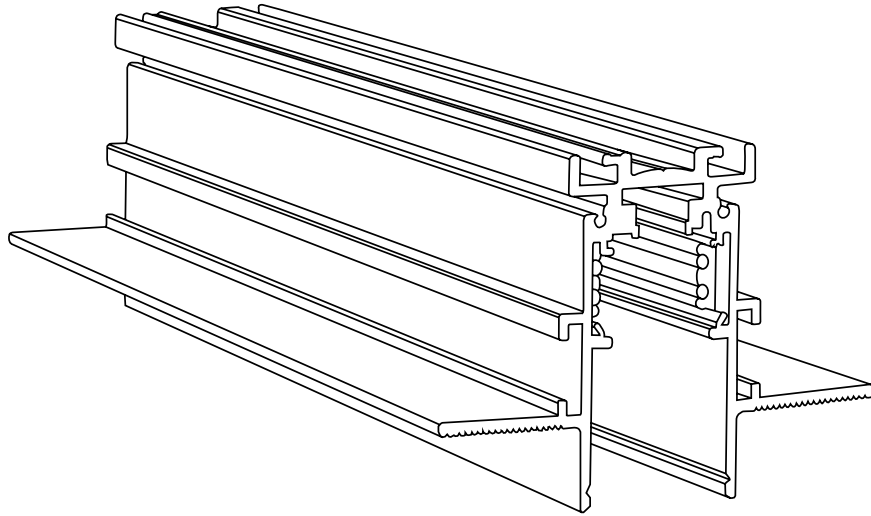


### ST2 - Track

Artikel nr	Description	Length MM	Color	PCS/Package
9500-ST2E-1-2*	Track Evo 48V ST2 1m BK DALI	100	Black	1/80
9500-ST2E-1-3*	Track Evo 48V ST2 1m WH DALI	100	White	1/80
9500-ST2E-2-2	Track Evo 48V ST2 2m BK DALI	200	Black	1/80
9500-ST2E-2-3*	Track Evo 48V ST2 2m WH DALI	200	White	1/80
9500-ST2E-3-2*	Track Evo 48V ST2 3m BK DALI	300	Black	1/80
9500-ST2E-3-3*	Track Evo 48V ST2 3m WH DALI	300	White	1/80

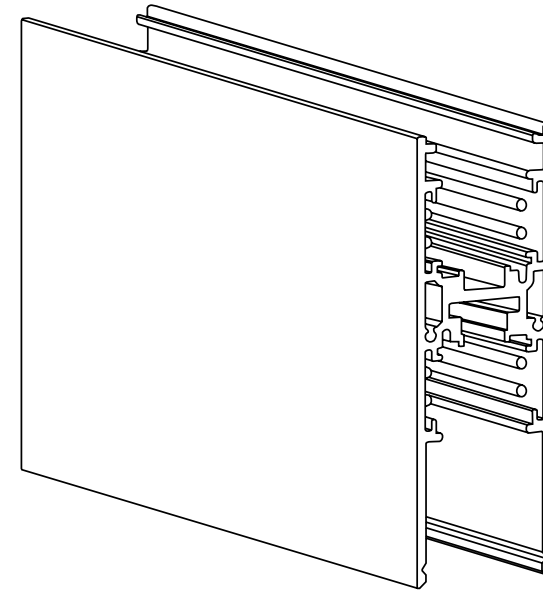
# EVO 48V

## TRACKS



### ST5 - Track

Artikel nr	Description	Length MM	Color	PCS/Package
9500-ST5E-1-2*	Track Evo 48V Recessed ST5 1m BK DALI	100	Black	1/80
9500-ST5E-1-3*	Track Evo 48V Recessed ST5 1m WH DALI	100	White	1/80
9500-ST5E-2-2*	Track Evo 48V Recessed ST5 2m BK DALI	200	Black	1/80
9500-ST5E-2-3*	Track Evo 48V Recessed ST5 2m WH DALI	200	White	1/80
9500-ST5E-3-2*	Track Evo 48V ST5 Recessed 3m BK DALI	300	Black	1/80
9500-ST5E-3-3*	Track Evo 48V ST5 Recessed 3m WH DALI	300	White	1/80

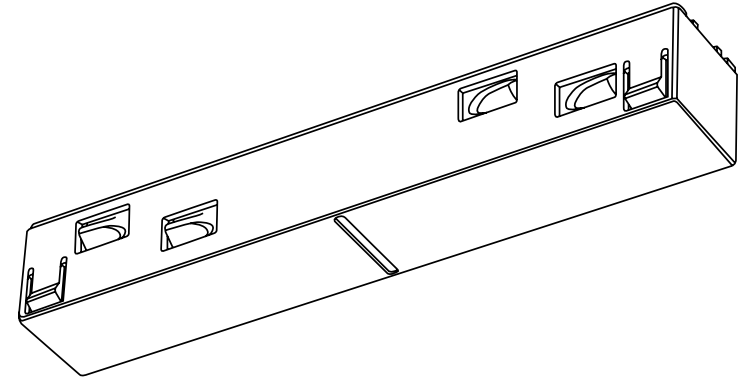
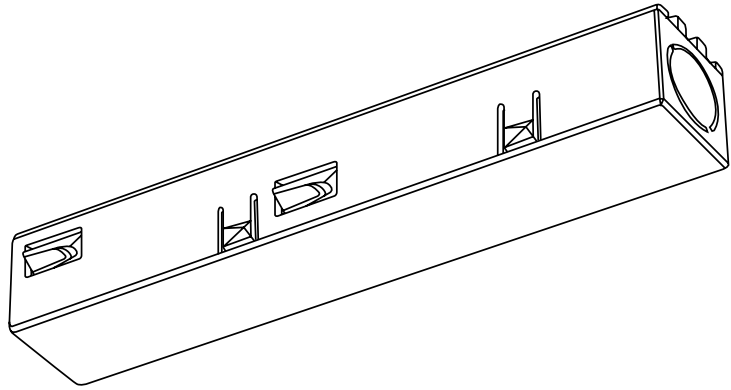


### ST9 - Track

Artikel nr	Description	Length MM	Color	PCS/Package
9500-ST9E-1-2*	Track Evo 48V ST9 1m BK DALI	100	Black	1/80
9500-ST9E-1-3*	Track Evo 48V ST9 1m WH DALI	100	White	1/80
9500-ST9E-2-2*	Track Evo 48V ST9 2m BK DALI	200	Black	1/80
9500-ST9E-2-3*	Track Evo 48V ST9 2m WH DALI	200	White	1/80
9500-ST9E-3-2*	Track Evo 48V ST9 3m BK DALI	300	Black	1/80
9500-ST9E-3-3*	Track Evo 48V ST9 3m WH DALI	300	White	1/80

# CONNECTORS

## TRACKS



### End Feeds

Artikel nr	Description	Color	PCS/Package
9501-E-S-2	Track Evo 48V End Feed BK DALI	Black	20
9501-E-S-3	Track Evo 48V End Feed WH DALI	White	20

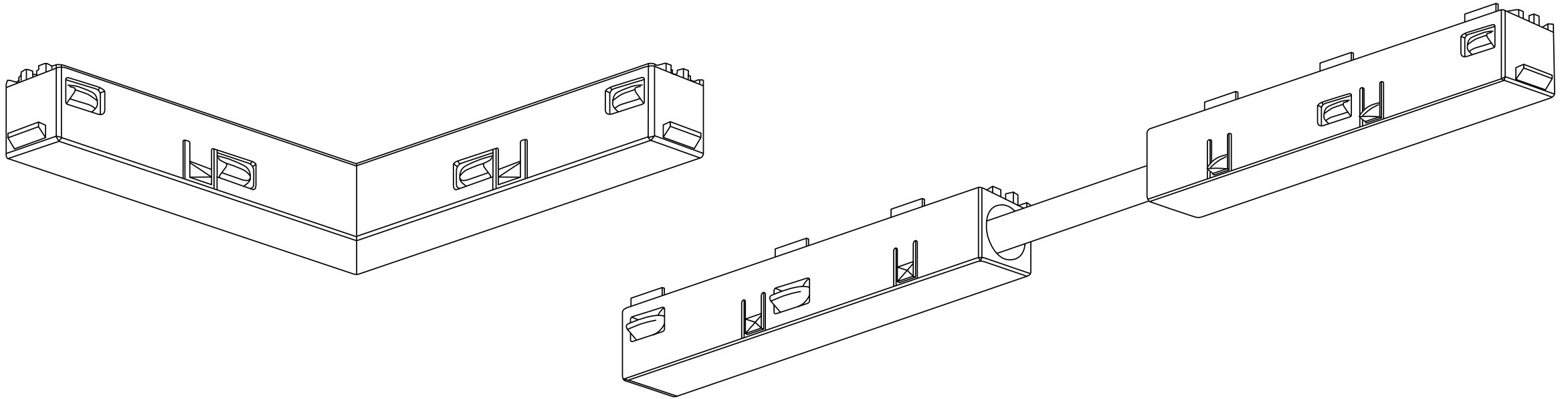
### Middle Feeds

Artikel nr	Description	Color	PCS/Package
9503-E-S-2	Track Evo 48V Middle Feed BK DALI	Black	20
9503-E-S-3	Track Evo 48V Middle Feed WH DALI	White	20



# CONNECTORS

## TRACKS



### L-Feeds

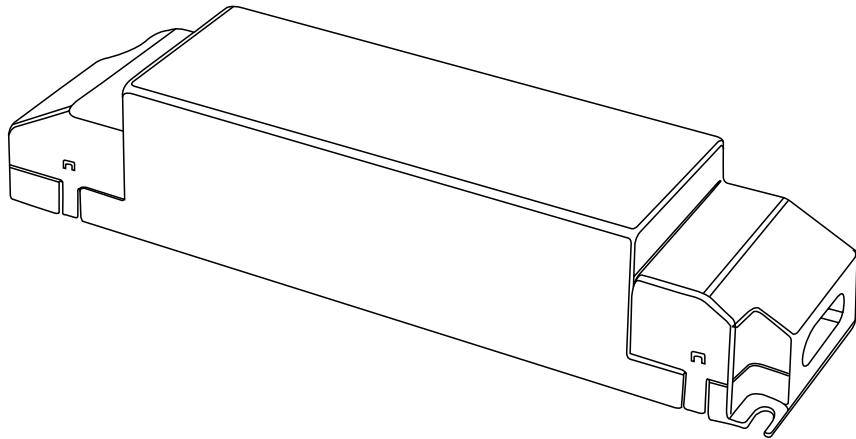
Artikkel nr	Description	Color	PCS/Package
9511-E-S-2	Track Evo 48V L-feed BK DALI	Black	10
9511-E-S-3	Track Evo 48V L-feed WH DALI	White	10

### Adjustable Corners

Artikkel nr	Description	Color	PCS/Package
9518-E-S-2*	Track Evo 48V Adjustable Corner BK DALI	Black	10
9518-E-S-3*	Track Evo 48V Adjustable Corner WH DALI	White	10

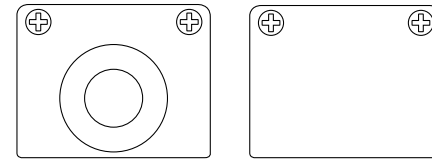
# ACCESSORIES

EVO 48V



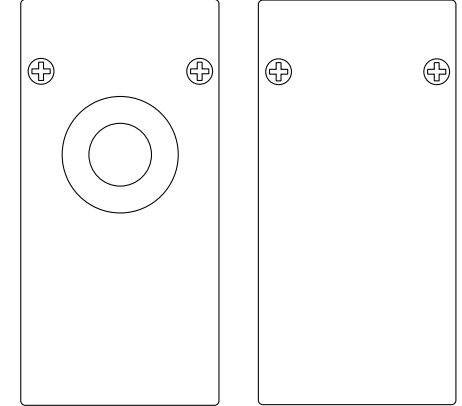
## Drivers

Artikel nr	Description
122762	Driver 48V cv 70W DC 70W 48V VST IP20
122764	Driver 48V cv 150W DC 150W 48V VST IP20



9504-ST2-F

9504-ST2



9504-ST2-F

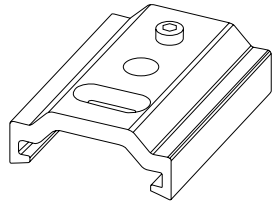
9504-ST2

## End Caps

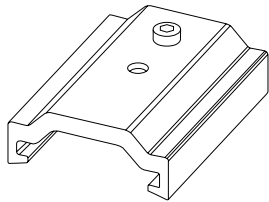
Artikel nr	Description	Color	Model
9504-ST1-F-2	Track Evo 48V ST1 End Cap with hole for cable BK	Black	ST1
9504-ST1-F-3	Track Evo 48V ST1 End Cap with hole for cable WH	White	ST1
9504-ST1-2	Track Evo 48V ST1 End Cap BK	Black	ST1
9504-ST1-3	Track Evo 48V ST1 End Cap WH	White	ST1
9504-ST2-F-2	Track Evo 48V ST2 Plastic end cap with hole for cable	Black	ST2, ST5
9504-ST2-F-3	Track Evo 48V ST2 Plastic end cap with hole for cable	White	ST2, ST5
9504-ST2-2	Track Evo 48V ST2 Plastic end cap	Black	ST2, ST5
9504-ST2-3	Track Evo 48V ST2 Plastic end cap	White	ST2, ST5

# ACCESSORIES

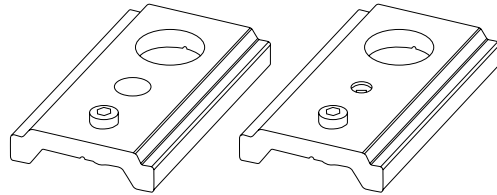
## EVO 48V



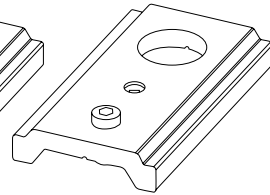
9500-312-LA



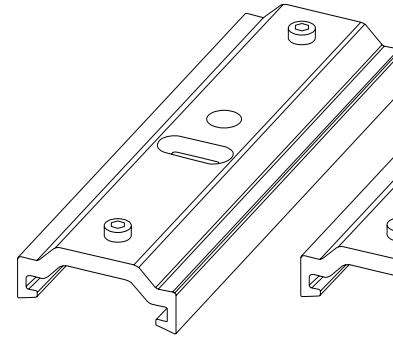
9500-312-SV



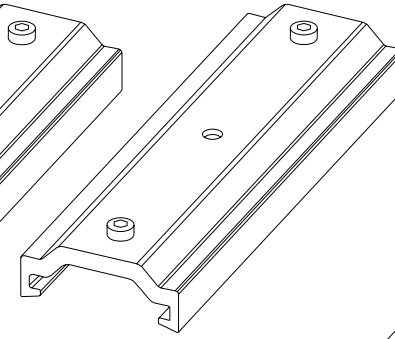
9500-313-LA



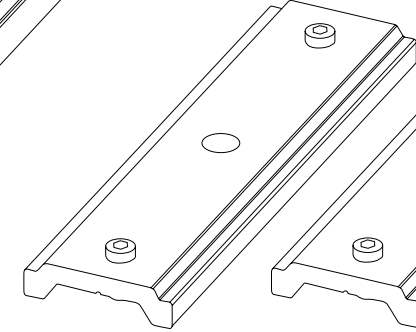
9500-313-SV



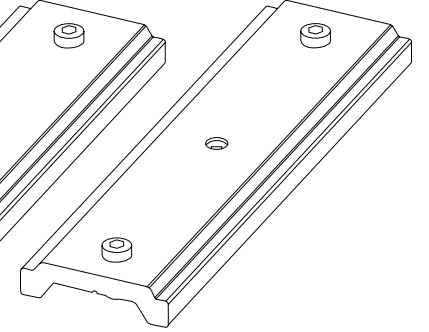
9500-322-LA



9500-322-SV



9500-323-LA



9500-323-SV

## Brackets - short pendant

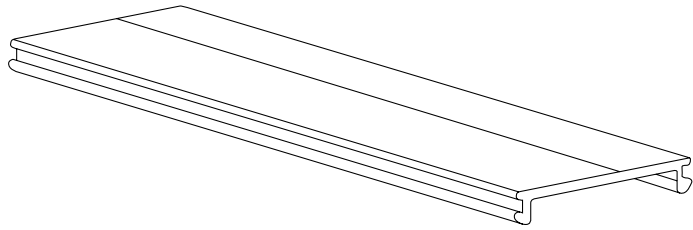
Artikel nr	Description	Color	Model
9500-312-LA-2	Track EVO 48V ST1 short pendant bracket w/countersunk hole BK	Black	ST1
9500-312-LA-3	Track EVO 48V ST1 short pendant bracket w/countersunk hole WH	White	ST1
9500-312-SV-2	Track EVO 48V ST1 short pendant bracket for suspensions BK	Black	ST1
9500-312-SV-3	Track EVO 48V ST1 short pendant bracket for suspensions WH	White	ST1
9500-313-LA-1	Track Evo 48V ST2 Short bracket for suspension	Alu	ST2
9500-313-SV-1	Track Evo 48V ST2 Short bracket for suspension	Alu	ST2

## Brackets - long pendant

Artikel nr	Description	Color	Model
9500-322-LA-2	Track EVO 48V ST1 long pendant bracket w/countersunk hole BK	Black	ST1
9500-322-LA-3	Track EVO 48V ST1 long pendant bracket w/countersunk hole WH	White	ST1
9500-322-SV-2	Track EVO 48V ST1 long pendant bracket for suspensions BK	Black	ST1
9500-322-SV-3	Track EVO 48V ST1 long pendant bracket for suspensions WH	White	ST1
9500-323-LA-1	Track Evo 48V ST2 Long bracket for suspension	Alu	ST2
9500-323-SV-1	Track Evo 48V ST2 Long bracket for suspension	Alu	ST2

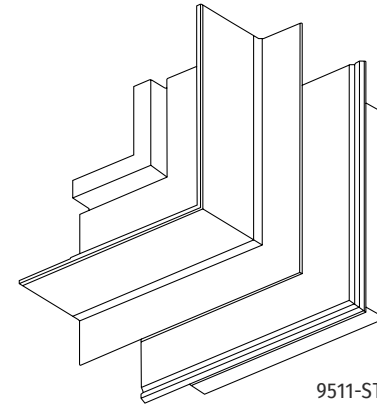
# ACCESSORIES

## EVO 48V

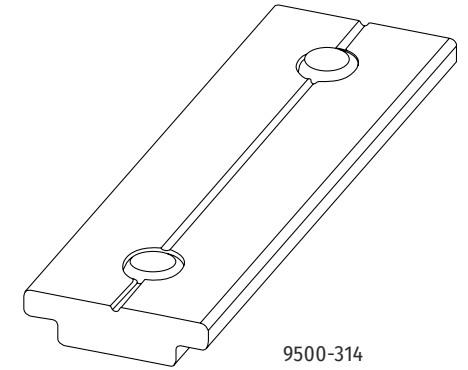


## Covers and Screens

Artikel nr	Description	Color	Model
9500-SE-OPN*	Track EVO 48V ST1 Opal PC 300cm	Opal PC	ST1
9500-SE-F*	Track EVO 48V ST1 Fume Screen PC 300cm	Fume Screen	ST1
9500-SE-2*	Track EVO 48V ST1 PMMA Cover 300cm BK	Black	ST1
9500-SE-3*	Track EVO 48V ST1 PMMA Cover 300cm WH	White	ST1
9511-ST2-BK	Track Evo 48V ST2 Cover for L joint	Black	ST2
9511-ST2-WH	Track Evo 48V ST2 Cover for L joint	White	ST2
S9500/LE-3000	Aesthetic track cover 3m ST2 ST9 ST5 ST14		ST2, ST5, ST9
9500-LE-2	Track EVO 48V PMMA Cover 300cm		ST2, ST5, ST9
9500-LE-3	Track EVO 48V PMMA Cover 300cm		ST2, ST5, ST9
9500-OPN9	Opal screen 3m ST2 ST9		ST2, ST9
9500-TR9	Transparent screen 3m ST2 ST9		ST2, ST9



9511-ST5



9500-314

## Diverse

Artikel nr	Description	Color	Model
9511-316	Track Evo 48V L bracket for angles		
9500-L/B-3000	Plastic installation guard 3m ST2 ST5 ST9		ST2, ST5, ST9
9500-314-2	Track EVO ST5 Reinforcing bracket for trimless use BK	Black	ST5, ST9
9500-314-3	Track EVO ST5 Reinforcing bracket for trimless use WH	White	ST5, ST9
9511-ST5-2	Track EVO 48V ST5 L-joint (empty) BK	Black	ST5
9511-ST5-3	Track EVO 48V ST5 L-joint (empty) WH	White	ST5



**NORLUX<sup>®</sup>**

*Lighting Solutions*

**NORLUX AS**  
Borgeskogen 32  
3160 Stokke

33 30 10 80  
post@norlux.com  
www.norlux.com