

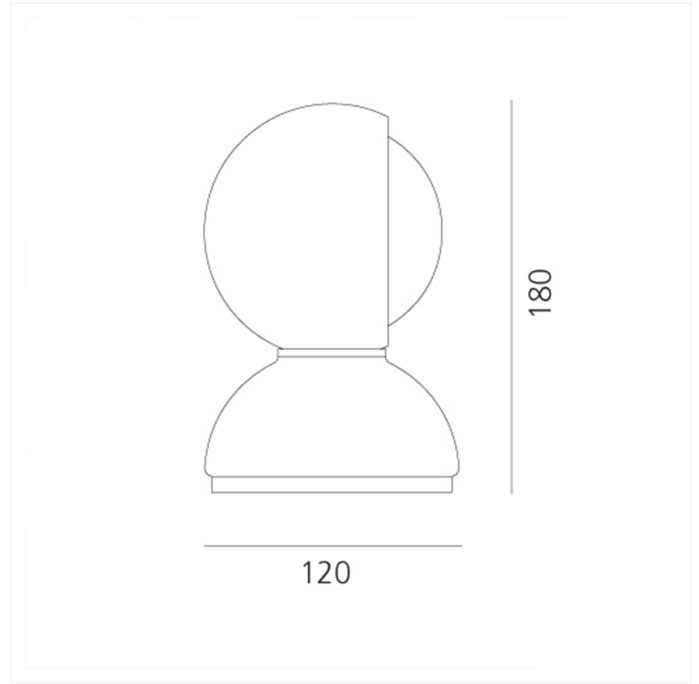


FDV SPEC SHEET

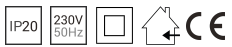
Eclisse Red
Art. no: 0028030A



Lighting Solutions



Eclisse Red



Art. no: 0028030A

LIGHT TECHNICAL

| | |
|--------------------|--------------------------|
| Lightsource Type: | Lightsource not included |
| Lumen Output: | 170 |
| Socket / Cap-Base: | E14 |

MOUNTING / CONNECTION

| | |
|-------------|----------|
| Connection: | Terminal |
| Mounting: | Table |

PRODUCT

| | |
|---------------------|------|
| Ingress Protection: | IP20 |
| Color: | Red |
| Height [mm]: | 180 |
| Width [mm]: | 120 |

ELECTRICAL DATA

| | |
|---------------------|----------------------|
| Dimming: | Light bulb dependent |
| Max. Power [W]: | 25 |
| System Voltage [V]: | 230V 50Hz |
| Protection Class: | 2 |
| Socket / Cap-Base: | E14 |