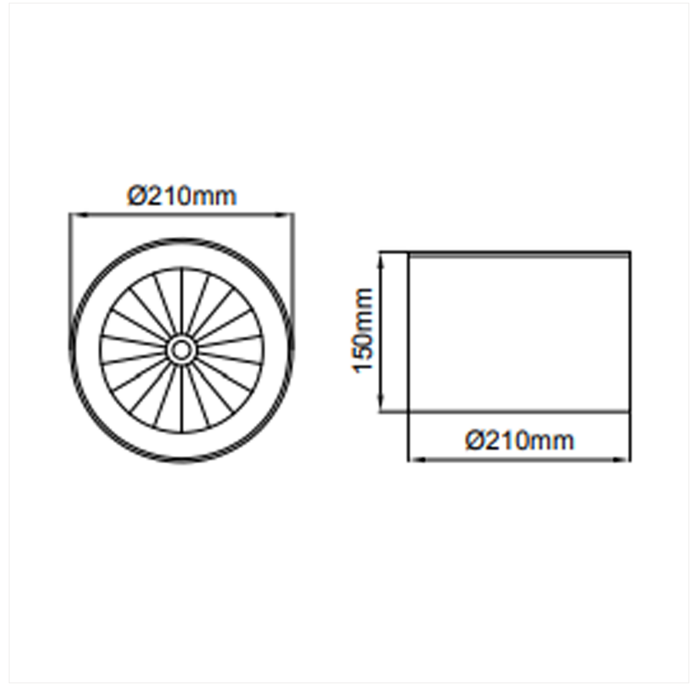




FDV SPEC SHEET
 Leila C Surface
 Art. no: 101370-70-2-ddd



Leila C Surface



Art. no: 101370-70-2-ddd

LIGHT TECHNICAL	
Lumen Output:	4633
Lumen LED (tc=25):	6100
Beam Angle:	70°
CCT (Color Temperature):	3000
CRI / Ra:	80
Color Code:	830
MacAdam (SDCM):	3
Lens (Diffuser):	Clear
MOUNTING / CONNECTION	
Connection:	QuickConnect
Mounting:	Surface, Ceiling

ELECTRICAL DATA	
Dimming:	DALI
Dimming Output Type:	Amplitude Modulation
System Power [W]:	42
System Voltage [V]:	230V 50Hz
Protection Class:	1
Max load pr circuit - B10:	12
Max load pr circuit - B16:	20
Max load pr circuit - C10:	20
Max load pr circuit - C16:	34
Leakage current [mA]:	0,5
Inrush current I _{max} [A]:	30
Inrush current time [µs]:	200
Socket / Cap-Base:	N/A
Current Output [mA]:	1050
Voltage Forward Min [V]:	29,6
Voltage Forward Max [V]:	39,5
Dimming Output Type:	Amplitude Modulation



FDV SPEC SHEET

Leila C Surface

Art. no: 101370-70-2-ddd



Lighting Solutions

PRODUCT

To be recessed in insulation:	No
Ingress Protection:	IP20
Impact Protection:	IK00
Operating Temperature [°C]:	-25 - 50
Lifetime [h]:	L80B10: 60 000
Color:	Black
Height [mm]:	150
Width [mm]:	210
Weight [kg]:	1,9