



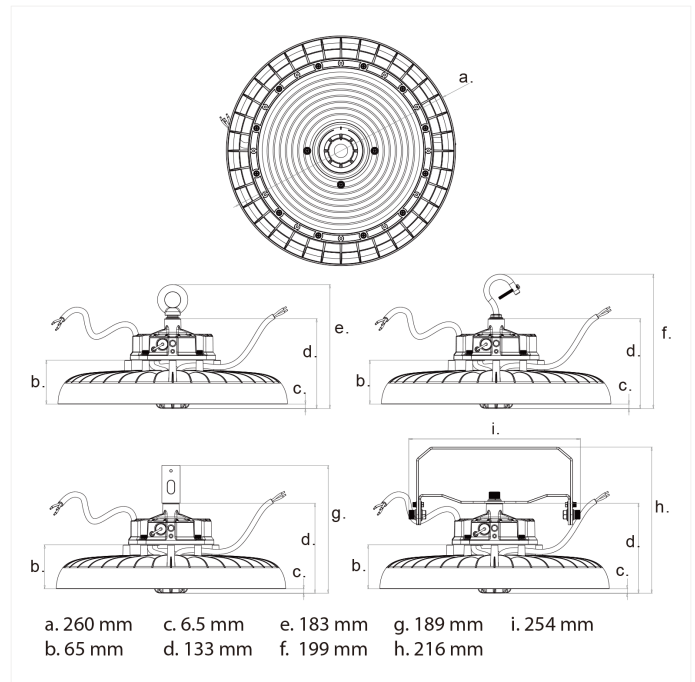
## FDV SPEC SHEET

Ufo U High Bay

Art. no: 102333-02-2



Lighting Solutions



a. 260 mm c. 6.5 mm e. 183 mm g. 189 mm i. 254 mm  
b. 65 mm d. 133 mm f. 199 mm h. 216 mm

## Ufo U High Bay



Art. no: 102333-02-2

### LIGHT TECHNICAL

Lightsource Type:	LED (built in)
Lumen LED (tc=25):	11000
Beam Angle:	120°
CCT (Color Temperature):	2700
CRI / Ra:	90
Color Code:	927
MacAdam (SDCM):	3
Lens (Diffuser):	Clear

### PRODUCT

Ingress Protection:	IP65
Impact Protection:	IK08
Operating Temperature [°C]:	-30 - 50
Lifetime [h]:	L80B10: 100 000
Color:	Black
Height [mm]:	65
Diameter [mm]:	230
Weight [kg]:	2,3
Housing Material :	Aluminium

### ELECTRICAL DATA

Dimming:	PWM, 0-10V
Dimming Output Type:	PWM
Standby power P <sub>sb</sub> (W) <:	0,5
Flicker metric (P <sub>st</sub> LM) <:	0,018
Stroboscopic effect metric (SVM) <	0,005
System Power [W]:	100/80/60
System Voltage [V]:	230V 50Hz
Protection Class:	1
Max load pr circuit - B10:	11
Max load pr circuit - B16:	18
Max load pr circuit - C10:	12
Max load pr circuit - C16:	18
Leakage current [mA]:	0,75
Inrush current I <sub>max</sub> [A]:	80
Inrush current time [µs]:	350

### MOUNTING / CONNECTION

Connection:	18i3 5m + 2x0,4m free end
Mounting:	Suspended